

MILLER[®]

by Honeywell



Temporary Roof Anchors & Roofing Fall Protection System Kits

User Instruction Manual

Manuel D'utilisation / Manual de Instrucciones para El Usuario

Table of Contents

1.0 General Requirements, Warnings and Limitations.....	3-4
2.0 System Compatibility.....	4
3.0 Roof Anchors and Roofing Fall Protection System Kits.....	4-5
4.0 Temporary Roof Anchors.....	6-10
4.1 RA15-1 Temporary Roof Anchor	
4.2 RA20-1 Temporary Roof Anchor	
4.3 RA30-1 Temporary Roof Anchor	
4.4 RA35-1 Temporary Roof Anchor	
5.0 Roofing Fall Protection System Kits.....	11-18
5.1 ReadyRoofer Fall Protection System	
5.2 Miller Roof Anchor Kits	
5.3 Titan Roofing Fall Protection Kits	
5.4 Titan B-Compliant Roofing Kits	
6.0 Inspection and Maintenance.....	18-20
Product Labels.....	57
Inspection and Maintenance Log.....	58

Table des Matières

1.0 Exigences Générales, Avertissements et Limitations.....	21-22
2.0 Compatibilité du Système.....	22
3.0 Ancrages et Produits de Protection Antichute pour Toitures.....	22-23
4.0 Ancrages TEMPORAIRES pour Toitures.....	24-28
4.1 Ancre temporaire RA15-1 pour toitures	
4.2 Ancre temporaire RA20-1 pour toitures	
4.3 Ancre temporaire RA30-1 pour toitures	
4.4 Ancre temporaire RA35-1 pour toitures	
5.0 Systèmes de Protection Antichute pour Toitures.....	29-35
5.1 Système de protection antichute ReadyRoofer	
5.2 Ensembles d'ancrages Miller pour toitures	
5.3 Ensembles de protection antichute Titan	
5.4 Ensemble pour toitures de conformité Titan B-Compliant	
6.0 Inspection et Entretien.....	36-38
Étiquettes de Produit.....	57
Registre D'inspection et D'entretien.....	58

Índice

1.0 Requisitos Generales, Advertencias y Limitaciones.....	39-40
2.0 Compatibilidad del Sistema.....	40
3.0 Anclas para Techos y Juegos de Sistemas de Protección Anticaídas para Techado.....	40-41
4.0 Anclas TEMPORALES para Techos.....	42-46
4.1 RA15-1 – Ancla temporal para techos	
4.2 RA20-1 – Ancla temporal para techos	
4.3 RA30-1 – Ancla temporal para techos	
4.4 RA35-1 – Ancla temporal para techos	
5.0 Juegos de Sistemas de Protección Anticaídas para Techado.....	47-54
5.1 ReadyRoofer – Sistema de protección anticaídas	
5.2 Juegos de anclas para techos Miller	
5.3 Juegos de protección anticaídas para techado Titan	
5.4 Juegos de para techado Titan B-Compliant según normas	
6.0 Inspección y Mantenimiento.....	54-56
Etiquetas del Producto.....	57
Registro de Inspección y Mantenimiento.....	58

Thank You

Thank you for your purchase of Miller Fall Protection equipment. Miller brand products are produced to meet the highest standards of quality at our ISO 9001 certified facility. Miller Fall Protection equipment will provide you with years of use when cared for properly.

WARNING

All persons using this equipment must read, understand and follow all instructions. Failure to do so may result in serious injury or death. Do not use this equipment unless you are properly trained.

Questions?

CALL MILLER TECHNICAL SERVICE
1.800.873.5242

It is crucial that the authorized person/user of this fall protection equipment read and understand these instructions. In addition, it is the employer's responsibility to ensure that all users are trained in the proper use, inspection, and maintenance of fall protection equipment. Fall protection training should be an integral part of a comprehensive safety program.

Proper use of fall arrest systems can save lives and reduce the potential of serious injuries from a fall. The user must be aware that forces experienced during the arrest of a fall or prolonged suspension may cause bodily injury. Consult a physician if there is any question about the user's ability to use this product. Pregnant women and minors must not use this product.

1.0 General Requirements, Warnings and Limitations

All warnings and instructions shall be provided to authorized persons/users.

All authorized persons/users must reference the regulations governing occupational safety, as well as applicable ANSI or CSA standards. Please refer to product labeling for information on specific OSHA regulations, and ANSI and CSA standards met by the product.

Proper precautions should always be taken to remove any obstructions, debris, material, or other recognized hazards from the work area that could cause injuries or interfere with the operation of the system.

All equipment must be inspected before each use according to the manufacturer's instructions.

All equipment should be inspected by a qualified person on a regular basis.

To minimize the potential for accidental disengagement, a competent person must ensure system compatibility.

Equipment must not be altered in any way.

Repairs must be performed only by the manufacturer, or persons or entities authorized in writing by the manufacturer.

Any product exhibiting deformities, unusual wear, or deterioration must be immediately discarded.

Any equipment subject to a fall must be removed from service.

The authorized person/user shall have a rescue plan and the means at hand to implement it when using this equipment.

Never use fall protection equipment for purposes other than those for which it was designed. Fall protection equipment should never be used for towing or hoisting.

Equipment must not be exposed to environmental hazards and chemicals which may produce a harmful effect.

Do not allow equipment to come in contact with anything that will damage it including, but not limited to, sharp, abrasive, rough or high-temperature surfaces, welding, heat sources, electrical hazards, or moving machinery.

All synthetic material must be protected from slag, hot sparks, open flames, or other heat sources. The use of heat resistant materials is recommended in these applications.

Use in a highly corrosive or caustic environment dictates a more frequent inspection and servicing program to ensure that the integrity of the system is maintained.

Do not expose the equipment to any hazard which it is not designed to withstand. Consult the manufacturer in cases of doubt.

Always check for obstructions below the work area to make sure potential fall path is clear.

Allow adequate fall clearance below the work surface.

Never remove product labels, which include important warnings and information for the authorized person/user.

2.0 System Compatibility

All Miller fall protection products are designed for use with Miller approved components. Substitution or replacement with non-approved component combinations or subsystems or both may affect or interfere with the safe function of each other and endanger the compatibility within the system. This incompatibility may affect the reliability and safety of the total system.

3.0 Roof Anchors and Roofing Fall Protection System Kits

Installation Warnings, Limitations and Requirements for All Roof Anchors and Roofing Fall Protection System Kits

Before installation of any roof anchor or roofing system, carefully inspect to ensure that it is in useable condition. Check for missing or damaged parts. Do not use if any component does not operate properly or appears to be damaged in any way. Refer to the inspection section of this manual.

Only trained and competent personnel should install and use this equipment.

Anchor and system must be installed and used in such a manner as to minimize the potential for a swing fall hazard and limit free fall distance to 6 feet (1.8m) or less.

Ensure that the anchor point selected is at a height that will not allow a lower level to be struck should a fall occur. To ensure adequate fall clearance, consider the following:

- Rope grabs have a maximum fall arrest distance of 39 in. (1m).
- Synthetic rope lifelines may stretch up to 5%. For synthetic rope lifelines, add 1 ft. (0.3m) of fall clearance for each 20 feet (6m) of rope above the connection point.
- Always remember that shock absorbers will elongate when subjected to fall arrest forces. Refer to the labels on the connecting device to obtain the maximum elongation distance.
- In addition to the above, it is essential to consider other components and variables, including but not limited to, the height of the worker to the worker's back D-ring, the length of the lanyard, the position of the worker in relation to the anchorage, and potential harness stretch of up to 1 ft. (0.3m).
- Miller Fall Protection recommends that a 3 ft. (0.9m) safety factor be added to all fall clearance calculations.
- Call Miller Technical Service if there is any question about calculating fall clearance.

Fall arrest systems must be rigged in accordance to regulatory requirements. [All instructions and warnings provided with the components of the personal fall arrest system must be read, understood, and followed.]

Make sure that all connections within the fall arrest system are compatible.

The anchorage connector must be compatible with the snap hook or carabiner of the connecting device and must not be capable of causing a load to be applied to the gate/keeper.

Use only locking carabiners, locking snap hooks or other Miller approved connectors or connecting devices to attach to this equipment.

Never use an anchorage connector which will not allow snap hook or carabiner gate/keeper to close.

Miller roof anchors and roofing system kits are designed FOR USE BY ONE PERSON ONLY.

Never work above the roof anchor (i.e., higher level, dormer, higher roof structure, etc.)

Use of these systems is not suitable when the user is positioned on an unstable surface, fine grain material, or particulate solids such as sand or coal.

Lifelines must be kept clean.

Never allow the lifeline to become slack between the rope grab and roof anchor.

Never allow the lifeline to pass under or entwine around arms, legs, neck or any other obstacle.

Do not tie knots in lifelines.

Use rope grabs only with the appropriate vertical lifeline included in the system kit.

Do not use system if rope grab does not lock onto the lifeline.

The structure that this anchor (system) is attached to must be capable of supporting 5,000 lbs. (22.2 kN) per user attached; or be designed, installed and used, under the supervision of a qualified person, as part of a complete personal fall arrest system which maintains a safety factor of at least two.

All roof anchors, when installed per Miller instructions as part of a Miller personal fall arrest system, meet the OSHA anchorage strength requirement of maintaining a safety factor of at least two.

Anchorage requirements based on ANSI Z359.1 are as follows:

- For fall arrest systems, anchorages must withstand a static load of 5,000 lbs. (22.2kN) for non-certified anchorages or two times the maximum arresting force for certified anchorages.
- For positioning systems, anchorages must withstand a static load of 3,000 lbs. (13.3kN) for non-certified anchorages or two times the foreseeable force for certified anchorages.
- For travel restraint, anchorages must withstand a static load of 1,000 lbs. (4.5kN) for non-certified anchorages or two times the foreseeable force for certified anchorages.
- When more than one personal fall arrest system is attached to an anchorage, the above anchorage strengths must be multiplied by the number of personal fall arrest systems attached to the anchorage.

Before installation and before each use, inspect the structure and roof members (i.e., studs, joists, rafters, trusses), where the roof anchor is installed or will be installed for deteriorated wood, rot, decay, defects, or any other questionable conditions. Ensure that the condition of the support structure will support the anticipated loads created by a fall arrest. Before use of any roofing fall protection system, ensure that the anchor is properly and securely installed with the required number of fasteners.





All roof anchors and roofing fall protection system kits are OSHA compliant. For ANSI and CSA compliance, refer to product labeling.

4.0 TEMPORARY Roof Anchors

Miller temporary roof anchors are anchorage connectors designed for roofing applications and are to be used with complete Miller Roof Systems.

The RA15-1, RA20-1, RA30-1 and RA35-1 roof anchors may only be used as temporary anchor points and must not be used where permanent anchors are needed.

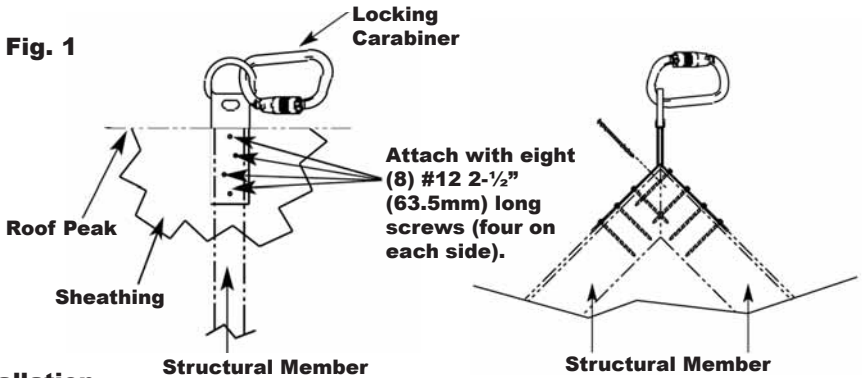
The RA15-1, RA20-1, RA30-1 and RA35-1 roof anchors are reusable anchorage connectors designed to be repositioned as work progresses, provided that the roof anchor has not seen fall arrest forces and has not been damaged in any way (*refer to the inspection section of this manual*). It is recommended that new fasteners/hardware be used each time the roof anchor is installed.

Temporary Roof Anchors		
Product Photo	Model No.	Description
	RA15-1	Reusable roof anchor with D-ring Includes 10 roof anchors; each anchor includes eight (8) #12 2-½ in. (63.5mm) long steel pan head screws Material: Steel (14 gauge) w/clear chrome finished carbon
	RA20-1	Reusable roof anchor Includes 2 roof anchors; each anchor includes eight (8) #12 2-½" (63.5mm) long steel pan head screws Material: Steel (14 gauge)
	RA30-1	Reusable roof anchor with O-ring for steep-pitched or flat roof Includes twelve (12) 16d nails and six (6) ¼" x 2-½" (6.4mm x 63.5mm) lag screws Materials: Steel, copper, nylon
	RA35-1	Reusable roof anchor with O-ring for flat surfaces Includes six (6) 16d nails and three (3) ¼" x 2-½" (6.4mm x 63.5mm) lag screws Material: Steel

4.1 RA15-1 Temporary Roof Anchor

Warnings and Limitations

- For use by ONE person only. Maximum capacity is 310 lbs. (140.6kg), including tools. — DO NOT EXCEED THIS WEIGHT. The RA15-1 is for use by the original installer only.
- Anchor points must be capable of supporting 5,000 lbs. (22.2kN) in the direction permitted by the system while in use (or provide a 2:1 safety factor).
- The RA15-1 roof anchor is designed for roof-top installations on fully sheathed roofs comprised of wood members (*see other approved installation options below). Do not install on unsupported roof structures such as eaves or gable overhangs. Do not install on fascia boards.
- The RA15-1 roof anchor must be installed at least 2 ft. (0.6m) from any roof edge.
- Due to the fatiguing of the screws, it is recommended that eight (8) new #12, 2-1/2" (63.5mm) long, type A, zinc-plated, steel pan head screws be used each time the anchor is installed. Roof anchor must be inspected before each installation.
- The RA15-1 roof anchor must be used in conjunction with a shock absorber that limits forces to 900 lbs. (4kN) or less.



Installation

1. Locate and mark solid roof members/support structures (i.e., studs, joists, rafters, trusses, etc.) under roof sheathing at the location where the roof anchor will be installed.
2. Refer to Fig. 1 for proper setup.
3. Install the RA15-1 roof anchor with eight (8) #12 2-1/2" (63.5mm) long screws (four on each side).

WARNING: Use all eight (8) #12 2-1/2" (63.5mm) long screws to attach the RA15-1 roof anchor. All eight screws must pass through the sheathing and into a support structure. If this warning is not followed, the anchorage connection will be weakened and serious injury or death could occur in the event of a fall.

WARNING: Attach to the D-ring only with a locking snap hook, locking carabiner, or other Miller approved connector or connecting device.

*Installation Options

The RA15-1 roof anchor can be flattened and installed on a flat area of the roof so long as all eight (8) #12, 2-1/2" (63.5mm) long screws pass through the sheathing and into a support structure.

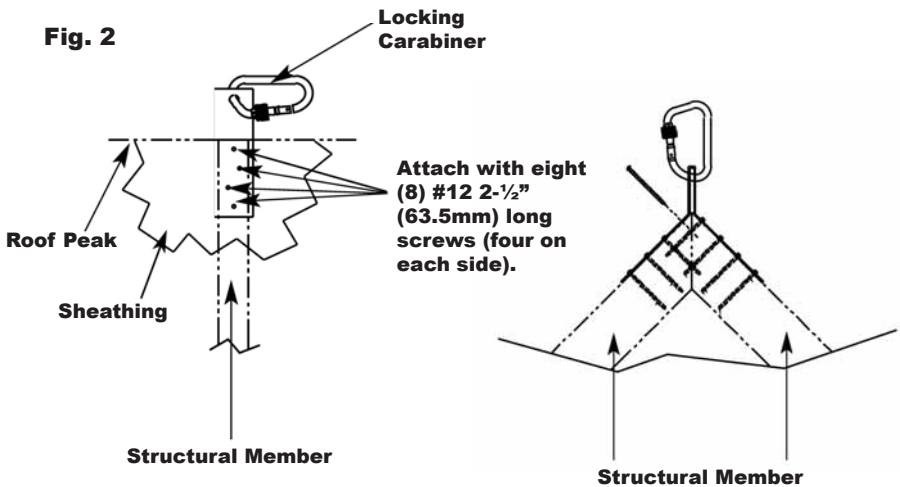
The RA 15-1 can also be flattened and installed to a wall in a vertical orientation so long as all eight (8) #12, 2-1/2" (63.5mm) long screws pass through the sheathing and into a support structure.

NOTE: The RA15-1 can be mounted onto a metal roof in applications where the metal sheet is a minimum 20 gauge (0.036") thickness. It can be used in the original shape or flattened and must be installed with eight (8) #12 TEK screws. These screws are self-drilling (no pre-drilling required) and are not included with the RA15-1 roof anchor. Each TEK screw must completely penetrate into a structural member (e.g., purlins of Z bar or C bar).

4.2 RA20-1 Temporary Roof Anchor

Warnings and Limitations

- For use by ONE person only. Maximum capacity is 310 lbs. (140.6kg), including tools. — DO NOT EXCEED THIS WEIGHT. The RA20-1 is for use by the original installer only.
- Anchor points must be capable of supporting 5,000 lbs. (22.2kN) in the direction permitted by the system while in use (or provide a 2:1 safety factor).
- The RA20-1 roof anchor is designed for roof-top installations on fully sheathed roofs comprised of wood members. Do not install on unsupported roof structures such as eaves or gable overhangs. Do not install on fascia boards.
- The RA20-1 roof anchor must be installed at least 2 ft. (0.6m) from any roof edge.
- Due to the fatiguing of the screws, it is recommended that eight (8) new #12, 2-1/2" (63.5mm) long, type A, zinc-plated, steel pan head screws be used each time the anchor is installed. Roof anchor must be inspected before each installation.
- The RA20-1 roof anchor must be used in conjunction with a shock absorber that limits forces to 900 lbs. (4kN) or less.



Installation

1. Locate and mark solid roof members/support structures (i.e., studs, joists, rafters, trusses, etc.) under roof sheathing at the location where the roof anchor will be installed.
2. Refer to Fig. 2 for proper setup.
3. Install the RA20-1 roof anchor with eight (8) #12 2-1/2" (63.5mm) long screws (four on each side).

WARNING: Use all eight (8) #12 2-1/2" (63.5mm) long screws to attach the RA20-1 roof anchor. All eight screws must pass through the sheathing and into a support structure. If this warning is not followed, the anchorage connection will be weakened and serious injury or death could occur in the event of a fall.

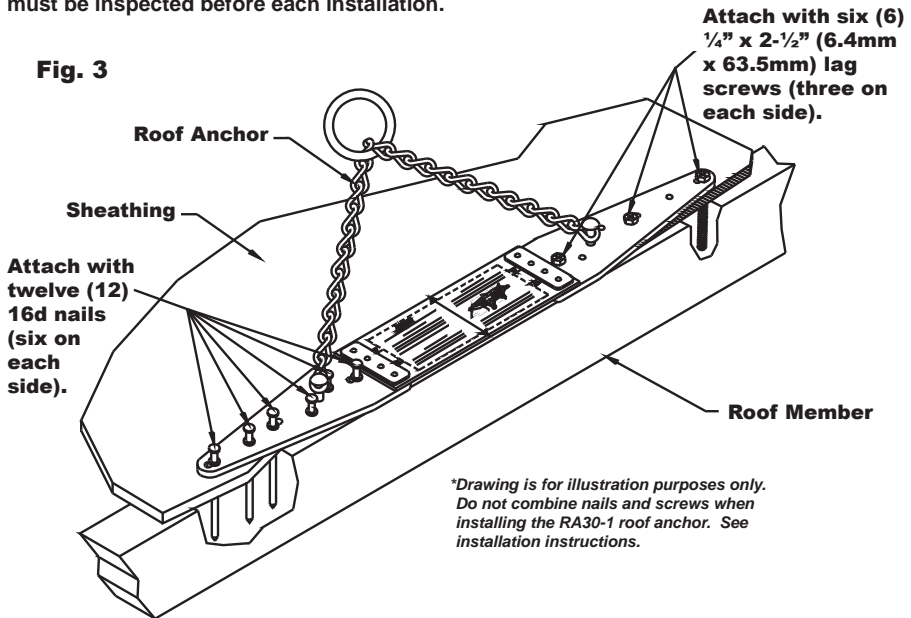
WARNING: Connection to the RA20-1 roof anchor must only be made with a locking carabiner. DO NOT use snap hooks.

4.3 RA30-1 Temporary Roof Anchor

Warnings and Limitations

- For use by ONE person only. Maximum capacity is 310 lbs. (140.6kg), including tools. — DO NOT EXCEED THIS WEIGHT. The RA30-1 is for use by the original installer only.
- Anchor points must be capable of supporting 5,000 lbs. (22.2kN) in the direction permitted by the system while in use (or provide a 2:1 safety factor).
- The RA30-1 roof anchor is designed for roof-top installations on fully sheathed roofs comprised of wood members. Do not install on unsupported roof structures such as eaves or gable overhangs. Do not install on fascia boards.
- The RA30-1 roof anchor must be installed at least 2 ft. (0.6m) from any roof edge.
- It is recommended that twelve (12) new 16d nails OR six (6) new ¼" x 2-½" (6.4mm x 63.5mm) or longer lag screws be used each time the anchor is installed. Roof anchor must be inspected before each installation.

Fig. 3



Installation

1. Locate and mark solid roof members/support structures (i.e., studs, joists, rafters, trusses, etc.) under roof sheathing at the location where the roof anchor will be installed.
2. Refer to Fig. 3 for proper setup. *(Drawing is for illustration purposes only -- Do not combine nails and screws when installing the RA30-1 roof anchor.)*
3. Install the RA30-1 roof anchor with twelve (12) 16d nails (six on each side) **OR*** six (6) ¼" x 2-½" (6.4mm x 63.5mm) or longer lag screws (three on each side).

WARNING: Use all twelve (12) 16d nails OR all six (6) ¼" x 2-½" (6.4mm x 63.5mm) lag screws to attach the RA30-1 roof anchor. All nails/screws must pass through the sheathing and into a support structure. If this warning is not followed, the anchorage connection will be weakened and serious injury or death could occur in the event of a fall.

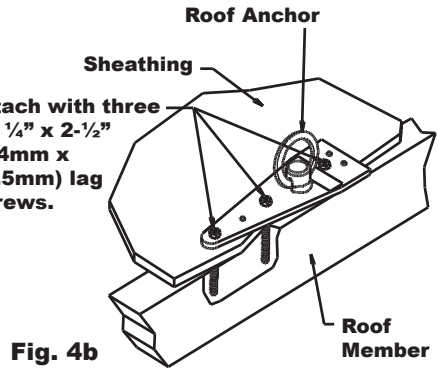
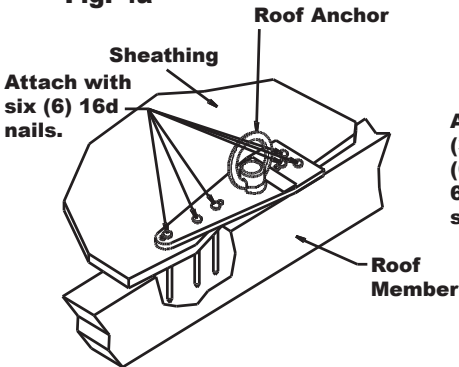
WARNING: Attach to the O-ring only with a locking snap hook, locking carabiner, or other Miller approved connector or connecting device.

4.4 RA35-1 Temporary Roof Anchor

Warnings and Limitations

- For use by ONE person only. Maximum capacity is 310 lbs. (140.6kg), including tools. — DO NOT EXCEED THIS WEIGHT. The RA35-1 is for use by the original installer only.
- Anchor points must be capable of supporting 5,000 lbs. (22.2kN) in the direction permitted by the system while in use (or provide a 2:1 safety factor).
- The RA35-1 roof anchor is designed for roof-top installations on partially or fully sheathed roofs comprised of wood members. Do not install on unsupported roof structures such as eaves or gable overhangs. Do not install on fascia boards.
- The RA35-1 roof anchor must be installed at least 2 ft. (0.6m) from any roof edge.
- It is recommended that six (6) new 16d nails OR three (3) new 1/4" x 2-1/2" (6.4mm x 63.5mm) or longer lag screws be used each time the anchor is installed. Roof anchor must be inspected before each installation.

Fig. 4a



Installation

1. Locate and mark solid roof members/support structures (i.e., studs, joists, rafters, trusses, etc.) under roof sheathing at the location where the roof anchor will be installed.
2. Refer to Fig. 4a or 4b for proper setup.
3. Install the RA35-1 roof anchor with six (6) 16d nails OR three (3) 1/4" x 2-1/2" (6.4mm x 63.5mm) or longer lag screws (three on each side).

WARNING: Use all six (6) 16d nails OR all three (3) 1/4" x 2-1/2" (6.4mm x 63.5mm) lag screws to attach the RA35-1 roof anchor. All nails/screws must pass through the sheathing and into a support structure. If this warning is not followed, the anchorage connection will be weakened and serious injury or death could occur in the event of a fall.

WARNING: Attach to the O-ring only with a locking snap hook, locking carabiner, or other Miller approved connector or connecting device.

5.0 Roofing Fall Protection System Kits

5.1 ReadyRoofer Fall Protection System

The ReadyRoofer Fall Protection System is a complete personal fall arrest system for roofing applications contained in a waterproof bucket for easy transporting and storage.



ReadyRoofer System Kits	
Model No.*	Description
BRFK25/25FT BRFK50/50FT BRFK75/75FT BRFK100/100FT	Kit includes reusable roof anchor with attachent D-ring (RA15-1); Titan lightweight, full-body harness with mating buckle leg straps (T4000); compact trailing rope grab (8173 OR *8175/C in Canada); 5/8" dia. polyester/polypropylene rope lifeline with loop and locking snap hook (300L--length specified in model no.; 6,000 lb. min. tensile strength); 3ft. Titan pack-style shock-absorbing lanyard with two locking snap hooks (T6111); and waterproof container.
BRFKT25/25FT BRFKT50/50FT BRFKT75/75FT BRFKT100/100FT	Same as BRFK kits, except with a Titan lightweight, full-body harness with tongue buckle leg straps (T4500/UAK).
*Add a "C" at the end of the model number for Canadian ReadyRoofer System Kit with standard size trailing rope grab with anti-panic feature (8175/C).	

Warnings and Limitations

- For use by ONE person only. Maximum capacity is 310 lbs. (140.6kg), including tools. — DO NOT EXCEED THIS WEIGHT.
- Anchor points must be capable of supporting 5,000 lbs. (22.2kN) in the direction permitted by the system while in use (or provide a 2:1 safety factor).
- All instructions, warnings and requirements pertaining to the individual system components must be read, understood and followed.
- Rope grab must be oriented on the lifeline with the engraved arrow pointing toward the roof anchor for proper operation of the system.
- Maximum system arrest force is 900 lbs. (4kN).

Installation

Don the full-body harness.



1. Hold harness by back D-ring. Shake harness to allow all straps to fall in place. If chest and/or leg straps are buckled, release straps by unbuckling at this time.
2. Slip straps over shoulders so D-ring is located in middle of back between shoulder blades.
3. Pull leg strap between legs and connect to opposite end. Repeat with second leg strap.
4. Connect chest strap and position in midchest area 6" (152mm) to 8" (203mm) below the trachea but not below the sternum. Tighten to keep shoulder straps taut.
5. After all straps have been buckled, tighten all webbing so that harness fits snug but allows full range of movement. Pass excess strap through loop keepers.

Install roof anchor.

Refer to sections 3.0, 4.0 and 4.1 of this manual for installation of the RA15-1 roof anchor.

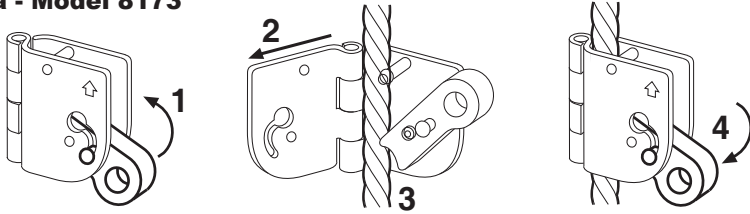
Connect lifeline snap hook to roof anchor D-ring.

Ensure that snap hook completely closes and locks.

Attach rope grab to lifeline.

Refer to Fig. 5a or 5b, depending on rope grab included in system.

Fig. 5a - Model 8173

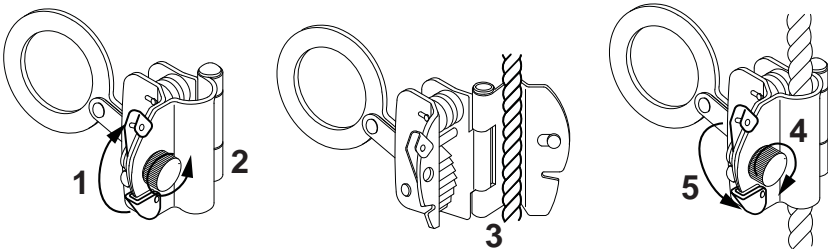


1. Open the device by rotating the locking lever upward, and
2. Opening up the sideplate.
3. Place the device on the appropriate lifeline with the arrow pointing upwards toward the lifeline anchor point.

WARNING: NEVER attach the device on the lifeline with the arrow pointing downward; it will not lock onto the lifeline should a fall occur.

4. Close the device around the lifeline and rotate the locking lever downward.

Fig.5b - Model 8175



1. Open the latch, and
2. Unscrew the locking thumbscrew to open the device.
3. Place the device on the appropriate lifeline with the arrow pointing upwards toward the lifeline anchor point.

WARNING: NEVER attach the device on the lifeline with the arrow pointing downward; it will not lock onto the lifeline should a fall occur.

4. Close the device around the lifeline, tighten thumbscrew, and
5. Close the latch.

Connect lanyard between rope grab and harness back D-ring.

Shock absorber pack snap hook must be connected to harness back D-ring; the lanyard leg snap hook connects to the rope grab. Ensure that both snap hooks completely close and lock.

5.2 Miller Roof Anchor Kits

The Miller Roof Anchor Kit is a complete personal fall arrest system for roofing applications in a convenient carrying bag.



Miller Roof Anchor Kits	
Model No.	Description
RA20-25/25FT RA20-50/50FT	Kit includes two reusable roof anchors (RA20-1); DuraFlex stretchable full-body harness (E850); manual stainless steel rope grab with attached 2 ft. lanyard with SofStop shock absorber (8757LS); 5/8" dia. nylon rope lifeline with thimbles (195R-2--length specified in model no.; 6,000 lb. (27kN) minimum tensile strength); steel, twist-lock carabiner (17D-1) and carrying bag (8477H).
*Add a "C" at the end of the model number for Canadian Roof Anchor Kit with manual rope grab with anti-panic feature and attached 2 ft. lanyard with SofStop shock absorber (8757LS/24INYLC).	

Warnings and Limitations

- For use by **ONE** person only. **Maximum capacity is 310 lbs. (140.6kg), including tools. — DO NOT EXCEED THIS WEIGHT.**
- **Anchor points must be capable of supporting 5,000 lbs. (22.2kN) in the direction permitted by the system while in use (or provide a 2:1 safety factor).**
- **All instructions, warnings and requirements pertaining to the individual system components must be read, understood and followed.**
- **Rope grab must be oriented on the lifeline with the engraved arrow pointing toward the roof anchor for proper operation of the system.**
- **Maximum system arrest force is 900 lbs. (4kN).**

Installation

Don the full-body harness.



1. Hold harness by back D-ring. Shake harness to allow all straps to fall in place. If chest and/or leg straps are buckled, release straps by unbuckling at this time.
2. Slip straps over shoulders so D-ring is located in middle of back between shoulder blades.
3. Pull leg strap between legs and connect to opposite end. Repeat with second leg strap.
4. Connect chest strap and position in midchest area 6" (152mm) to 8" (203mm) below the trachea but not below the sternum. Tighten to keep shoulder straps taut.
5. After all straps have been buckled, tighten all webbing so that harness fits snug but allows full range of movement. Pass excess strap through loop keepers.

Install roof anchor.

Refer to sections 3.0, 4.0 and 4.1 of this manual for installation of the RA15-1 roof anchor.

Connect lifeline to roof anchor D-ring using the carabiner.

1. Twist carabiner gate to unlock.
2. Open gate inward; make connection; then release gate.

Ensure that carabiner completely closes and locks.

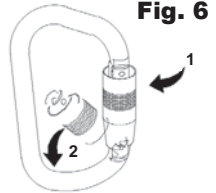
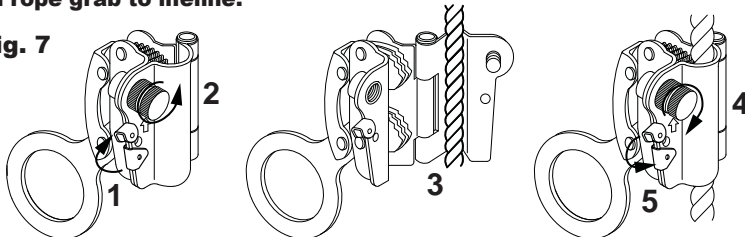


Fig. 6

Attach rope grab to lifeline.

Fig. 7



1. Open the latch, and
2. Unscrew the locking thumbscrew to open the device.
3. Place the device on the appropriate lifeline with the arrow pointing upwards toward the lifeline anchor point.

WARNING: NEVER attach the device on the lifeline with the arrow pointing downward; it will not lock onto the lifeline should a fall occur.

4. Close the device around the lifeline, tighten thumbscrew, and
5. Close the latch.
6. To reposition the rope grab on the lifeline, lift upward on the spring-loaded cam handle that connects the gripping cams. Slide the rope grab to the desired position on the lifeline and release the cam handle. The spring-loaded gripping cams will keep the rope grab in position.

Connect lanyard between rope grab and harness back D-ring.

Shock absorber pack snap hook must be connected to harness back D-ring; the lanyard leg snap hook connects to the rope grab. Ensure that both snap hooks completely close and lock.

5.3 Titan Roofing Fall Protection Kits

The Titan Roofing Fall Protection Kit is a complete personal fall arrest system for roofing applications.



Titan Roofing Fall Protection Kits	
Model No.*	Description
TRK4000/25FT TRK4000/50FT	Kit includes reusable roof anchor with attachent D-ring (RA15-1); Titan lightweight, full-body harness with mating buckle leg straps (T4000); compact trailing rope grab (8173 OR *8175/C in Canada); 5/8" dia. polyester/polypropylene rope lifeline with loop and locking snap hook (300L--length specified in model no.; 6,000 lb. min. tensile strength); and 3ft. Titan pack-style shock-absorbing lanyard with two locking snap hooks (T6111).
TRK4500/25FT TRK4500/50FT	Same as TRK kits, except with a Titan lightweight, full-body harness with tongue buckle leg straps (T4500).
*Add a "C" at the end of the model number for Canadian Titan Roofing Fall Protection Kit with standard size trailing rope grab with anti-panic feature (8175/C).	

Warnings and Limitations

- For use by **ONE person only**. Maximum capacity is **310 lbs. (140.6kg)**, including tools. — **DO NOT EXCEED THIS WEIGHT.**
- Anchor points must be capable of supporting **5,000 lbs. (22.2kN)** in the direction permitted by the system while in use (or provide a **2:1 safety factor**).
- All instructions, warnings and requirements pertaining to the individual system components must be read, understood and followed.
- Rope grab must be oriented on the lifeline with the engraved arrow pointing toward the roof anchor for proper operation of the system.
- Maximum system arrest force is **900 lbs. (4kN)**.

Installation

Follow installation instructions in section 5.1 of this manual.

5.4 Titan B-Compliant Roofing Kits

The Titan B-Compliant Roofing Kit is a cost-effective, complete personal fall arrest system for roofing applications contained in a waterproof bucket for easy transporting and storage.



Titan B-Compliant Roofing Kits

Model No.	Description
TRK2000/25FT TRK2000/50FT	Kit includes reusable roof anchor with attachment D-ring (RA15-1); Titan lightweight, full-body harness with mating buckle leg straps; 5/8" dia. polyester/polypropylene rope lifeline with loop and locking snap hook (300L--length specified in model no.; 6,000 lb. min. tensile strength) and permanently attached trailing rope grab with 3 ft. Titan pack-style shock-absorbing lanyard with locking snap hook; and waterproof container.

Warnings and Limitations

- For use by ONE person only. Maximum capacity is 310 lbs. (140.6kg), including tools. — DO NOT EXCEED THIS WEIGHT.
- Anchor points must be capable of supporting 5,000 lbs. (22.2kN) in the direction permitted by the system while in use (or provide a 2:1 safety factor).
- All instructions, warnings and requirements pertaining to the individual system components must be read, understood and followed.
- Rope grab must be oriented on the lifeline with the engraved arrow pointing toward the roof anchor for proper operation of the system.
- Maximum system arrest force is 900 lbs. (4kN).

Installation

Don the full-body harness.

1. Hold harness by back D-ring. Shake harness to allow all straps to fall in place. If chest and/or leg straps are buckled, release straps by unbuckling at this time.
2. Slip straps over shoulders so D-ring is located in middle of back between shoulder blades.
3. Pull leg strap between legs and connect to opposite end. Repeat with second leg strap.
4. Connect chest strap and position in midchest area 6" (152mm) to 8" (203mm) below the trachea but not below the sternum. Tighten to keep shoulder straps taut.
5. After all straps have been buckled, tighten all webbing so that harness fits snug but allows full range of movement. Pass excess strap through loop keepers.

Install roof anchor.

Refer to sections 3.0, 4.0 and 4.1 of this manual for installation of the RA15-1 roof anchor.

Connect lifeline snap hook to roof anchor D-ring.

The lifeline snap hook must be connected to the roof anchor D-ring to ensure that the rope grab is pointed in the correct direction for proper operation. Ensure that the snap hook completely closes and locks.

CAUTION: *Engraved arrow marking on rope grab must point toward lifeline snap hook for system to operate correctly and ensure user safety. (See Figure 8.)*

Fig. 8

Attach lifeline snap hook to roof anchor D-ring.



Connect lanyard shock absorber pack snap hook to harness back D-ring.

Ensure that snap hook completely closes and locks.

6.0 Inspection and Maintenance

6.1 Inspection

Miller roof anchors and roofing fall protection system kits must be visually inspected by the user before each use and inspected by a Competent Person on a regular basis.

Perform the following procedures if applicable to your product and/or system:

Roof Anchor

Inspect product for any of the following: bent, cracked, distorted, worn, malfunctioning or damaged parts; rough or sharp edges; loose fasteners or missing parts/components; corrosion; deterioration; signs that indicate the product has been subjected to a fall arrest; or any other indications of damage/problems that may affect the integrity and operation of the product. If in doubt, contact the manufacturer.

Harness

Webbing/Stitches: Grasp the webbing with your hands 6 inches (152mm) to 8 inches (203mm) apart. Bend the webbing in an inverted "U" as shown. The surface tension resulting makes damaged fibers or cuts easier to detect. Follow this procedure the entire length of the webbing, inspecting both sides of each strap. Watch for frayed edges, broken fibers, pulled stitches, cuts, burns, and chemical damage.



D-Rings/Pads: Check D-rings for distortion, cracks, breaks, and rough or sharp edges. The D-ring should pivot freely. Inspect for any unusual wear, frayed or cut fibers, or broken stitching of the D-ring attachments. Pads should also be inspected for cracks, excessive wear, or other signs of damage.



Buckles: Check all buckles for distortion, cracks, breaks, and rough or sharp edges. Inspect for any unusual wear, frayed or cut fibers, or broken stitching of the buckle attachments. Make sure buckles properly engage.

Tongue Buckles/Grommets: Buckle tongues should be free of distortion in shape and motion. They should overlap the buckle frame and move freely back and forth in their socket. Roller should turn freely on frame. Inspect for loose, distorted or broken grommets. Webbing should not have additional punched holes.

Friction and Mating Buckles: Inspect the buckle for distortion. The outer bars and center bars must be straight. Pay special attention to corners and attachment points at the center bar.

Additionally, inspect product for any signs that indicate the product has been subjected to a fall arrest or any other indications of damage/problems that may affect the integrity and operation of the product. If in doubt, contact the manufacturer.

Rope Grab

Inspect product for any of the following: bent, cracked, distorted, worn, malfunctioning or damaged parts; rough or sharp edges; loose fasteners or missing parts/components; corrosion; deterioration; signs that indicate the product has been subjected to a fall arrest; or any other indications of damage/problems that may affect the integrity and operation of the product. If in doubt, contact the manufacturer.

Check cam and springs (8174 & 8175 models) for damage or loss of tension.

Check pawl and locking mechanism (8173 models).

Be sure that rope grab operates properly, freely and only as intended by the manufacturer.

Lanyard/Vertical Lifeline

When inspecting lanyards and vertical lifelines, begin at one end and work to the opposite end. Slowly rotate the lanyard or lifeline so that the entire circumference is checked.

Webbing/Stitches: While bending webbing over a pipe or mandrel, observe each side of the web lanyard. This will reveal any cuts, snags, or breaks. Swelling, discoloration, cracks, and/or charring are obvious signs of chemical or heat damage. Observe closely for any breaks in the stitching.

Rope: Rotation of the rope lifeline while inspecting from end-to-end will bring to light any fuzzy, worn, broken or cut fibers. Weakened areas from extreme loads will appear as a noticeable change in original diameter. The rope diameter should be uniform throughout, following a short break-in period.

Snap Hooks/Thimbles: Inspect closely for hook and eye distortions, cracks, breaks, corrosion, pitted surfaces, and rough or sharp edges. The gate (keeper) should seat into the nose without binding and should not be distorted or obstructed. The gate spring should exert sufficient force to firmly close the gate. When the gate is closed, the locking mechanism MUST prevent the gate from opening. The thimble must be firmly seated in the eye of the splice, and the splice should have no loose or cut strands. The edges of the thimble must be free of sharp edges, distortion, or cracks.



Pack-Type Shock Absorber: The outer portion of the pack should be examined for burn holes and tears. Stitching on areas where the pack is sewn to the lanyard or hardware should be examined for loose strands, rips, deterioration or other signs of activation.



Carabiner

Inspect product for any of the following: bent, cracked, distorted, worn, malfunctioning or damaged parts; rough or sharp edges; loose fasteners or missing parts/components; corrosion; deterioration; signs that indicate the product has been subjected to a fall arrest; or any other indications of damage/problems that may affect the integrity and operation of the product. If in doubt, contact the manufacturer.

Check the carabiner to be sure that it operates freely and only as intended by the manufacturer. Ensure that gate (keeper) is seated properly without binding and is not distorted or obstructed. The gate spring should exert sufficient force to firmly close the gate. When the gate is closed, the locking mechanism **MUST** prevent the gate from opening.

**Devices that do not pass inspection
or have been subjected to fall arresting forces
must be removed from service.**

6.2 Cleaning and Storage

Basic care of all Miller Fall Protection equipment will prolong the durable life of the unit and will contribute toward the performance of its vital safety function. Proper storage and maintenance after use are as important as cleansing the equipment of dirt, corrosives, or contaminants. Storage areas should be clean, dry and free of exposure to fumes or corrosive elements.

Clean equipment periodically with a sponge dampened in a mild solution of water and commercial soap or detergent to remove any dirt, paint, or other materials that may have accumulated. Wipe dry with a clean cloth and/or hang freely to dry away from excessive heat, steam, or long periods of sunlight. Store in a clean, dry area when not in use.

6.3 Servicing

Servicing of Miller Fall Protection equipment must only be carried out by Miller Fall Protection or persons or entities authorized in writing by Miller Fall Protection. A record log of all servicing and inspection dates for this equipment must be maintained. Only original Miller replacement parts are approved for use in this equipment. Non-repairable devices that do not pass inspection must be disposed of in a manner to prevent inadvertent further use. Contact Miller Technical Services at 800.873.5242 if you have any questions.

Merci

Nous désirons vous remercier d'avoir acheté un équipement de Miller Fall Protection. Les produits de marque Miller sont fabriqués selon des normes de qualité des plus rigoureuses, dans notre usine certifiée ISO 9001. Bien entretenu, un équipement Miller Fall Protection s'utilise des années durant.

AVERTISSEMENT

Toutes les personnes qui utilisent cet équipement doivent lire, comprendre et suivre toutes les instructions. Tout manquement à cette règle peut avoir pour conséquence des blessures graves ou la mort. Ne pas utiliser cet équipement à moins d'avoir reçu une formation adéquate.

Des Questions?

APPELEZ
1.800.873.5242

Il est essentiel que la personne autorisée à utiliser cet équipement de protection contre les chutes lise et comprenne ces instructions. De plus, il incombe à l'employeur de s'assurer que tous les utilisateurs sont formés à l'emploi, à l'inspection et à l'entretien adéquats de l'équipement de protection contre les chutes. La formation sur la protection contre les chutes devrait faire partie intégrante d'un programme global de sécurité.

L'utilisation adéquate de systèmes d'arrêt de chute peut épargner des vies et réduire le risque de blessures graves consécutives à une chute. L'utilisateur doit être sensibilisé au fait que les forces subies lors d'un arrêt de chute ou d'une suspension prolongée peuvent causer des blessures corporelles. Dans l'incertitude sur la capacité de la personne à utiliser ce produit, consulter un médecin. Les femmes enceintes et les mineurs ne doivent pas utiliser ce produit.

1.0 Exigences Générales, Avertissements et Limitations

Les avertissements et instructions devront être mis à la disposition des personnes/utilisateurs autorisés.

Les personnes/utilisateurs autorisés doivent se reporter à la réglementation applicable en matière de sécurité en milieu de travail, ainsi qu'aux normes ANSI ou CSA pertinentes. Veuillez vous reporter aux étiquettes apposées sur les produits pour des informations plus détaillées sur les règlements OSHA, ainsi que les normes ANSI et CSA auxquelles ces produits sont conformes.

Des précautions doivent être prises afin d'éliminer de la zone de travail les obstacles, débris, matériaux ou autres éléments présentant un danger et qui pourraient causer des blessures ou nuire au bon fonctionnement du système.

L'équipement doit être inspecté avant chaque utilisation selon les directives du fabricant.

L'équipement doit être régulièrement inspecté par une personne qualifiée.

Pour minimiser le risque de décrochage accidentel, une personne compétente doit s'assurer de la compatibilité du système.

Il est interdit de modifier l'équipement, de quelque façon que ce soit. Les réparations doivent être effectuées uniquement par le fabricant de l'équipement, ou par des personnes ou entités autorisées par écrit par le fabricant.

Tout produit déformé, anormalement usé ou détérioré doit être immédiatement mis au rebut.

Tout équipement soumis à une chute doit être mis hors service.

L'utilisateur doit posséder un plan de sauvetage et avoir les moyens de le mettre en œuvre lorsqu'il utilise cet équipement.

Ne jamais utiliser un équipement de protection contre les chutes dans un but autre que celui pour lequel il a été prévu. Ne jamais utiliser un tel équipement pour remorquer ou lever une charge.

Ne pas exposer le matériel à des risques environnementaux ni à des produits chimiques susceptibles de produire un effet nuisible.

Éviter tout contact entre un équipement et un objet susceptible de l'endommager, incluant notamment, sans que la liste soit exhaustive : des arêtes vives, une surface abrasive, rugueuse ou à haute température, du matériel de soudage, une source de chaleur, un appareil électrique présentant un danger ou une machine mobile.

Les matériaux synthétiques doivent être protégés contre le laitier (de soudure), les étincelles chaudes, les flammes nues ou autres sources de chaleur. Dans de tels cas, on recommande d'utiliser des matériaux résistant à la chaleur.

L'utilisation dans un environnement fortement corrosif ou caustique dicte un programme plus fréquent d'inspection et de service pour s'assurer que l'intégrité du système est maintenue.

Ne pas exposer le matériel à tout risque pour lequel il n'est pas conçu. En cas de doute, consulter le fabricant.

Prévoir une distance de dégagement suffisante en dessous de la surface de travail.

Toujours vérifier qu'il n'y a pas d'obstacles en dessous de la zone de travail et que le trajet en cas de chute est dégagé.

Ne jamais ôter une étiquette apposée sur un produit; des informations et avertissements importants y sont en effet inscrits à l'intention de la personne/de l'utilisateur autorisé.

2.0 Compatibilité du Système

Les produits de protection antichute Miller sont conçus pour être utilisés en conjonction avec des composants Miller approuvés. Les substitutions ou les remplacements par des combinaisons de composants ou de sous-systèmes non approuvés peuvent nuire à leur sécurité de fonctionnement réciproque et ainsi remettre en cause la compatibilité des éléments du système. Cette incompatibilité peut nuire à la sécurité et à la fiabilité de l'ensemble du système.

3.0 Ancrages et Produits de Protection Antichute pour Toitures

Mises en garde sur l'installation, les restrictions et exigences pour tous les ancrages et produits de protection antichute pour toitures

Avant d'installer tout ancrage ou produit pour toitures, inspecter minutieusement le matériel pour s'assurer qu'il est en bon état. Vérifier s'il y a des pièces manquantes ou avariées. Ne pas utiliser le matériel si un élément quelconque ne fonctionne pas adéquatement ou semble avarié d'une façon ou d'une autre. Consulter la section du présent manuel traitant de l'inspection.

Seules des personnes formées et compétentes peuvent installer et utiliser cet équipement.

L'ancrage et le système doivent être installés et utilisés de manière à minimiser le risque de chute par balancement et limiter la distance de chute libre à 6 pieds (1,8 m) ou moins.

S'assurer que le point d'ancrage choisi se situe à une hauteur ne permettant pas à un niveau inférieur d'être frappé, advenant une chute. Pour assurer une distance de chute adéquate, tenir compte des points suivants :

- Les coulisseaux de sécurité ont une distance maximale de chute libre de 39 po (1 m).
- Les câbles de sécurité en corde synthétique peuvent s'étirer jusqu'à 5 %. Pour les câbles de sécurité en corde synthétique, ajouter 1 pi (0,3 m) de distance de dégagement pour chaque longueur de 20 pieds (6 m) de cordage au-dessus du point de raccordement.
- Ne jamais oublier que les amortisseurs de chocs s'allongent lorsque soumis à des forces d'arrêt de chute. Examiner les étiquettes apposées sur le dispositif de raccordement pour connaître la distance maximale d'élongation.
- En plus des points ci-dessus, il importe de prendre en considération d'autres éléments et variables, notamment la hauteur du travailleur à l'anneau dorsal en D de l'ouvrier, la longueur de la longe, la position du travailleur en fonction de l'ancrage et de l'élongation potentielle du harnais (jusqu'à 1 pi).
- Miller Fall Protection recommande d'ajouter un facteur de sécurité de 3 pi à tout calcul de distance de dégagement.
- Pour toute question sur le calcul de la distance de dégagement, appelez les Services techniques de Miller.

Installer les systèmes d'arrêt de chute conformément aux exigences réglementaires. [Toutes les instructions et mises en garde qui accompagnent les éléments du système d'arrêt de chute personnel doivent être lues, comprises et observées.]

Assurez-vous que tous les raccords dans le système d'arrêt de chute sont compatibles.

Le connecteur d'ancrage doit être compatible avec la boucle à pression ou le mousqueton du dispositif de raccordement et ne doit pas pouvoir provoquer l'application d'une charge au loquet.

N'utiliser que des mousquetons verrouillants, des boucles à pression verrouillantes ou d'autres raccords ou dispositifs de raccordement Miller approuvés pour fixer à cet équipement.

Ne jamais utiliser de connecteur d'ancrage ne permettant pas à la boucle à pression ou au loquet de mousqueton de se fermer.

Les ancrages et produits pour toitures Miller sont conçus POUR ÊTRE UTILISÉS PAR UNE SEULE PERSONNE.

Ne jamais travailler au-dessus de l'ancrage pour toiture (c.-à-d, niveau supérieur, lucarne, structure supérieure de toiture, etc.)

L'emploi de ces systèmes ne convient pas lorsque l'utilisateur est positionné sur une surface instable, un matériel de fin grain, ou des solides à particules comme du sable ou du charbon.

Les câbles de sécurité doivent être tenus propres.

Toujours s'assurer que le câble de sécurité ne perd pas sa tension entre le coulisseau de sécurité et l'ancrage pour toitures.

Évitez que le câble de sécurité passe ou s'enroule sous les bras, les jambes, le cou ou tout autre obstacle.

Ne jamais faire de noeuds dans les câbles de sécurité.

Utiliser des coulisseaux de sécurité uniquement avec le câble de sécurité vertical approprié inclus dans le système.

Ne pas utiliser l'équipement si le coulisseau de sécurité ne se verrouille pas dans le câble de sécurité.

La structure à laquelle l'ancrage et le système sont fixés doit pouvoir supporter une charge statique de 5 000 lb (22,2 kN) ou assurer un facteur de sécurité de 2 :1 dans la direction de la traction.

Installés suivant les instructions de Miller dans le cadre d'un système individuel d'arrêt de chute, tous les ancrages pour toitures respectent les exigences OSHA pour la force des ancrages, soit le maintien d'un facteur de sécurité d'au moins 2.

Les exigences ANSI Z359.1 qui s'appliquent aux ancrages sont les suivantes:

- L'ancrage non certifié d'un dispositif anti-chute doit supporter une charge statique de 5000 lb (22.2 kN), tandis qu'un ancrage certifié doit supporter deux fois la force maximale mise en jeu lors de l'arrêt d'une chute.
- Dans le cas d'un dispositif de maintien, l'ancrage non certifié doit supporter une charge statique de 3000 lb (13.3 kN), tandis qu'un ancrage certifié doit supporter deux fois la force prévisible.
- Dans le cas d'une limitation de déplacement, l'ancrage non certifié doit supporter une charge statique de 1000 lb (4.5 kN), tandis qu'un ancrage certifié doit supporter deux fois la force prévisible.
- Lorsque plusieurs dispositifs anti-chute individuels sont fixés à un même ancrage, les résistances d'ancrage ci-dessus doivent être multipliées par le nombre de dispositifs anti-chute rattachés à l'ancrage.

Avant l'installation et avant chaque usage, inspecter la structure et le matériel de la toiture (c.-à-d., montants, solives, arbalétriers, fermes), où l'ancrage pour toiture est ou sera installé pour y détecter du bois détérioré, de la pourriture, de la dégradation, des défauts, ou toute autre condition douteuse. S'assurer que la condition de la structure de soutien peut supporter les charges anticipées par un arrêt de chute. Avant d'utiliser un système de protection antichute pour toitures, s'assurer que l'ancrage est installé adéquatement et sécuritairement au moyen du nombre requis d'attaches.

Tous les ancrages pour toitures et ensembles de système de protection antichute pour toitures sont conformes à l'OSHA. Pour la conformité ANSI et ACNOR, consulter l'étiquetage des produits.

4.0 Ancrages TEMPORAIRES pour Toitures

Les ancrages temporaires Miller pour toitures sont des connecteurs d'ancrage pour applications de toiture et doivent être utilisés conjointement avec des systèmes Miller pour toitures.

Les ancrages RA15-1, RA20-1, RA30-1 and RA35-1 pour toitures ne peuvent servir que de points d'ancrage temporaires devant être repositionnés en fonction de l'avancement des travaux et ne doivent pas être utilisés là où des ancrages permanents s'imposent.

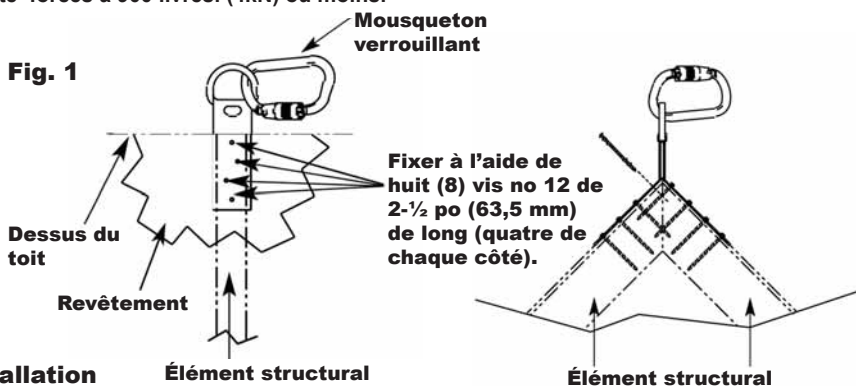
Les ancrages RA15-1, RA20-1, RA30-1 and RA35-1 pour toitures sont des connecteurs d'ancrage réutilisables conçus pour être repositionnés en fonction de l'avancement des travaux, pourvu qu'ils n'aient pas subi de forces d'arrêt de chute et n'aient pas été endommagés d'une façon quelconque (consulter la section du présent manuel traitant de l'inspection). Il est recommandé d'utiliser de nouvelles attaches / quincaillerie à chaque installation d'ancrage pour toitures.

Ancrages TEMPORAIRES pour toitures		
Photo du produit	N° de modèle	Description
	RA15-1	L'ancrage réutilisable pour toitures avec anneau en D comprend 10 ancras pour toitures; chaque ancre comprend huit (8) longues vis d'acier à tête cylindrique no 12 de 2-½ po (63,5 mm) de long. Matériau : acier
	RA20-1	L'ancrage réutilisable pour toitures comprend 2 ancras pour toitures; chaque ancre comprend huit (8) vis d'acier à tête cylindrique no 12 de 2-½ po (63,5 mm) de long. Matériau : acier
	RA30-1	L'ancrage réutilisable pour toitures avec joint torique pour toiture en forte pente ou plate comprend douze (12) clous 16d et six (6) tire-fond de ¼ po sur 2-½ po (6,4 mm x 63,5 mm). Matériaux : acier, cuivre, nylon
	RA35-1	Ancrage réutilisable pour toitures avec joint torique pour surfaces plates. Comprend six (6) clous 16d et trois (3) tire-fond de ¼ po x 2-½ po (6,4 mm x 63,5 mm) Matériau : acier

4.1 Ancrage temporaire RA15-1 pour toitures

Mises en garde et restrictions

- À utiliser par UNE seule personne. Capacité maximale : 310 lb (140,6 kg), y compris les outils. – NE PAS EXCÉDER CE POIDS. L'ancrage RA15-1 ne doit être utilisé que par l'installateur d'origine.
- Les points d'ancrage doivent pouvoir supporter 5 000 lb (22,2kN) dans la direction autorisée par le système pendant son utilisation (ou garantir un facteur de sécurité de 2 : 1).
- L'ancrage RA15-1 pour toitures est conçu pour des installations sur couvertures, sur des toitures à revêtement intégral comprenant des éléments en bois (*voir autres options d'installation approuvées ci-dessous). Ne pas installer sur des structures de toit non supportées comme des corniches ou surplombs de pignon. Ne pas installer sur des fascias.
- L'ancrage RA15-1 pour toitures doit être installé à au moins 2 pi (0,6 m) du bord du toit.
- Étant donné que les vis viennent à se fatiguer, il est recommandé d'utiliser huit (8) vis neuves en acier galvanisé à tête cylindrique no 12 de 2-½ po (63,5 mm) de long, de type A, à chaque installation d'ancrage. Inspecter l'ancrage pour toitures avant chaque installation.
- L'ancrage RA15-1 pour toitures doit être utilisée en même temps qu'un amortisseur qui limite forces à 900 livres. (4kN) ou moins.



1. Repérer et marquer les éléments de toiture/structures de support solides (c.-à-d., montants, solives, arbalétriers, fermes, etc.) sous le revêtement de toiture à l'endroit où l'ancrage pour toitures doit être installé.
2. Se reporter à la Fig. 1 pour connaître la bonne technique d'installation.
3. Installer l'ancrage RA15-1 pour toitures à l'aide de huit (8) vis no 12 de 2-½ po (63,5 mm) de long (quatre de chaque côté).

MISE EN GARDE : Utilisez les huit (8) vis no 12 de 2-½ po (63,5 mm) pour fixer l'ancrage RA15-1 pour toitures. Les huit vis doivent traverser le revêtement et passer dans une structure de support. Si cette mise en garde n'est pas respectée, le raccord d'ancrage s'en trouvera affaibli et de sérieuses blessures ou la mort pourraient survenir en cas de chute.

MISE EN GARDE : Fixer à l'anneau en D uniquement à l'aide d'une boucle à pression verrouillante, d'un mousqueton verrouillant ou d'un autre connecteur ou dispositif de raccordement Miller approuvé.

*Options d'installation

L'ancrage RA15-1 pour toitures peut être aplati et installé sur une surface plate du toit pourvu que les huit (8) vis no 12 de 2-½ po (63,5 mm) de long traversent le revêtement et passent dans une structure de support.

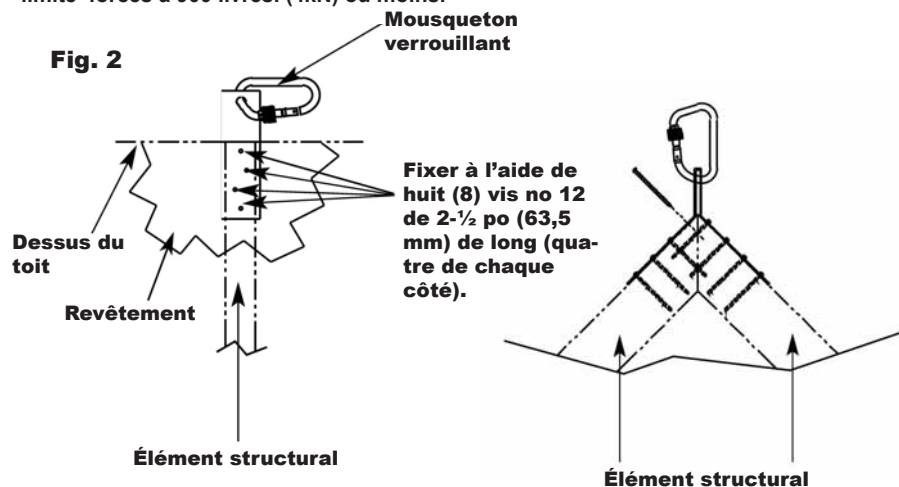
Le RA 15-1 peut aussi être aplati et installé à un mur dans une orientation verticale pourvu que les huit (8) vis no 12 de 2-½ po (63,5 mm) de long traversent le revêtement et passent dans une structure de support.

NOTA : Le RA 15-1 peut être monté sur un toit de métal dans des applications où la feuille de métal a une épaisseur minimale de 20 jauge (0,036 po). Il peut être utilisé dans sa forme originale ou aplatie et doit être installé au moyen de huit (8) vis TEK no 12. Ces vis sont auto-perceuses (sans avant-trou) et ne sont pas incluses avec l'ancrage RA15-1 pour toitures.

4.2 Ancrage temporaire RA20-1 pour toitures

Mises en garde et restrictions

- À utiliser par UNE seule personne. Capacité maximale : 310 lb (140,6 kg), y compris les outils. – NE PAS EXCÉDER CE POIDS. L'ancrage RA20-1 ne doit être utilisé que par l'installateur d'origine.
- Les points d'ancrage doivent pouvoir supporter 5 000 lb (22.2kN) dans la direction autorisée par le système pendant son utilisation (ou garantir un facteur de sécurité de 2 : 1).
- L'ancrage RA20-1 pour toitures est conçu pour des installations sur couvertures, sur des toitures à revêtement intégral comprenant des éléments en bois. Ne pas installer sur des structures de toit non supportées comme des corniches ou surplombs de pignon. Ne pas installer sur des fascias.
- L'ancrage RA20-1 pour toitures doit être installé à au moins 2 pi (0,6 m) du bord du toit.
- Étant donné que les vis viennent à se fatiguer, il est recommandé d'utiliser huit (8) vis neuves en acier galvanisé à tête cylindrique no 12 de 2-½ po (63,5 mm) de long, de type A, à chaque installation d'ancrage. Inspecter l'ancrage pour toitures avant chaque installation.
- L'ancrage RA20-1 pour toitures doit être utilisée en même temps qu'un amortisseur qui limite forces à 900 livres. (4kN) ou moins.



Installation

1. Repérer et marquer les éléments de toiture/structures de support solides (c.-à-d., montants, solives, arbalétriers, fermes, etc.) sous le revêtement de toiture à l'endroit où l'ancrage pour toitures doit être installé.
2. Se reporter à la Fig. 2 pour connaître la bonne technique d'installation.
3. Installer l'ancrage RA20-1 pour toitures à l'aide de huit (8) vis no 12 de 2-½ po (63,5 mm) de long (quatre de chaque côté).

MISE EN GARDE : Utilisez les huit (8) vis no 12 de 2-½ po (63,5 mm) pour fixer l'ancrage RA20-1 pour toitures. Les huit vis doivent traverser le revêtement et passer dans une structure de support. Si cette mise en garde n'est pas respectée, le raccord d'ancrage s'en trouvera affaibli et de sérieuses blessures ou la mort pourraient survenir en cas de chute.

MISE EN GARDE : Le raccordement à l'ancrage RA20-1 pour toitures ne doit se faire qu'au moyen d'un mousqueton verrouillant. NE PAS utiliser de boucles à pression.

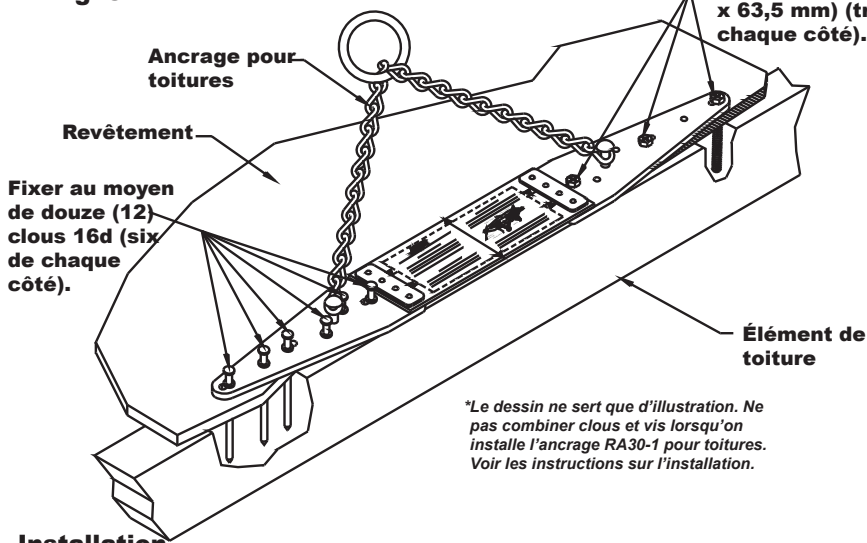
4.3 Ancrage temporaire RA30-1 pour toitures

Mises en garde et restrictions

- À utiliser par UNE seule personne. Capacité maximale : 310 lb (140,6 kg), y compris les outils. – **NE PAS EXCÉDER CE POIDS.** L'ancrage RA30-1 ne doit être utilisé que par l'installateur d'origine.
- Les points d'ancrage doivent pouvoir supporter 5 000 lb (22.2kN) dans la direction autorisée par le système pendant son utilisation (ou garantir un facteur de sécurité de 2 : 1).
- L'ancrage RA30-1 pour toitures est conçu pour des installations sur couvertures, sur des toitures à revêtement intégral comprenant des éléments en bois. Ne pas installer sur des structures de toit non supportées comme des corniches ou surplombs de pignon. Ne pas installer sur des fascias.
- L'ancrage RA30-1 pour toitures doit être installé à au moins 2 pi (0,6 m) du bord du toit.
- Il est recommandé d'utiliser douze (12) clous 16d neufs OU six (6) tire-fond neufs de ¼ po X 2-½ po (6,4 mm x 63,5 mm) de long ou plus à chaque installation d'ancrage. Inspecter l'ancrage pour toitures avant chaque installation.

Fixer au moyen de six (6) tire-fond de ¼ po x 2-½ po (6,4 mm x 63,5 mm) (trois de chaque côté).

Fig. 3



Installation

1. Repérer et marquer les éléments de toiture/structures de support solides (c.-à-d., montants, solives, arbalétriers, fermes, etc.) sous le revêtement de toiture à l'endroit où l'ancrage pour toitures doit être installé.
2. Se reporter à la Fig. 3 pour connaître la bonne technique d'installation. (Le dessin ne sert que d'illustration. Ne pas combiner clous et vis lorsqu'on installe l'ancrage RA30-1 pour toitures.)
3. Installer l'ancrage RA30-1 au moyen de douze (12) clous 16d (six de chaque côté) OU* six (6) tire-fond de ¼ po x 2-½ po (6,4 mm x 63,5 mm) de long ou plus (trois de chaque côté).

MISE EN GARDE : Utiliser les douze (12) clous 16d OU les six (6) tire-fond de ¼ po x 2-½ po (6,4 mm x 63,5 mm) pour fixer l'ancrage RA30-1 pour toitures. Tous tes clous/vis doivent traverser le revêtement et passer dans une structure de support. Si cette mise en garde n'est pas respectée, le raccord d'ancrage s'en trouvera affaibli et de sérieuses blessures ou la mort pourraient survenir en cas de chute.

MISE EN GARDE : Fixer au joint torique uniquement au moyen d'une boucle à pression verrouillante, d'un mousqueton verrouillant, ou d'un autre connecteur ou dispositif de raccordement Miller approuvé.

4.4 Ancrage temporaire RA35-1 pour toitures

Mises en garde et restrictions

- À utiliser par UNE seule personne. Capacité maximale : 310 lb (140,6 kg), y compris les outils. – NE PAS EXCÉDER CE POIDS. L'ancrage RA35-1 ne doit être utilisé que par l'installateur d'origine.
- Les points d'ancrage doivent pouvoir supporter 5 000 lb (22.2kN) dans la direction autorisée par le système pendant son utilisation (ou garantir un facteur de sécurité de 2 : 1).
- L'ancrage RA35-1 pour toitures est conçu pour des installations sur couverture, sur des toitures à revêtement partiel ou intégral et comprenant des éléments de bois. Ne pas installer sur des structures de toit non supportées comme des corniches ou surplombs de pignon. Ne pas installer sur des fascias.
- L'ancrage RA35-1 pour toitures doit être installé à au moins 2 pi (0,6 m) du bord du toit.
- Il est recommandé d'utiliser six (6) clous 16d neufs OU trois (3) tire-fond neufs de ¼ po x 2-½ po (6,4 mm x 63,5 mm) de long ou plus, à chaque installation d'ancrage. Inspecter l'ancrage pour toitures avant chaque installation.

Fig. 4a

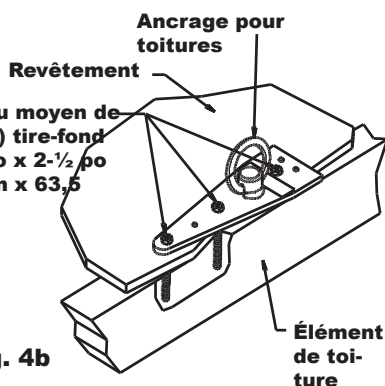
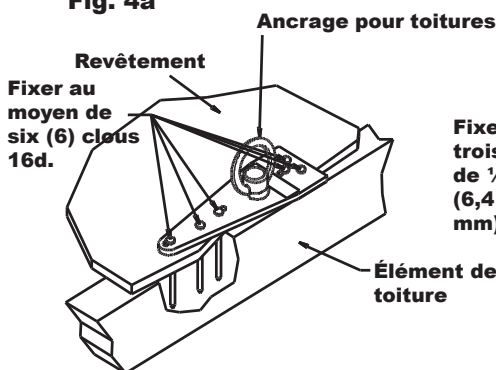


Fig. 4b

Installation

1. Repérer et marquer les éléments de toiture/structures de support solides (c.-à-d., montants, solives, arbalétriers, fermes, etc.) sous le revêtement de toiture à l'endroit où l'ancrage pour toitures doit être installé.
2. Se reporter à la Fig. 4a ou 4b pour connaître la bonne technique d'installation.
3. Installer l'ancrage RA35-1 pour toitures au moyen de six (6) clous 16d OU de trois (3) tire-fond de ¼ po x 2-½ po (6,4 mm x 63,5 mm) de long ou plus (trois de chaque côté).

MISE EN GARDE : Utiliser les six (6) clous 16d OU les trois tire-fond de ¼ po x 2-½ po (6,4 mm x 63,5 mm) pour fixer l'ancrage RA35-1 pour toitures. Tous tes clous/vis doivent traverser le revêtement et passer dans une structure de support. Si cette mise en garde n'est pas respectée, le raccord d'ancrage s'en trouvera affaibli et de sérieuses blessures ou la mort pourraient survenir en cas de chute.

MISE EN GARDE : Fixer au joint torique uniquement au moyen d'une boucle à pression verrouillante, d'un mousqueton verrouillant, ou d'un autre connecteur ou dispositif de raccordement Miller approuvé.

5.0 Systèmes de Protection Antichute pour Toitures

5.1 Système de protection antichute ReadyRoof

Le système de protection antichute ReadyRoof est un système personnel complet d'arrêt de chute pour applications sur les couvertures, placé dans un récipient étanche pour en faciliter le transport et le remisage.



Systèmes ReadyRoof

Modèle*	Description
BRFK25/25FT BRFK50/50FT BRFK75/75FT BRFK100/100FT	L'ensemble comprend une ancre réutilisable pour toitures (RA15-1) avec anneau en D; harnais intégral léger avec cuissardes à boucle à emboîtement (T4000); coulisseau compact de sécurité traînant (8173 OU *8175/C au Canada); câble de sécurité en polyester/polypropylène de 5/8 po de diam. Avec boucle et boucle à pression verrouillante (300L – longueur spécifiée dans le numéro de modèle; force de traction de 6 000 lb); longe amortisseur de chocs Titan de 3 pi avec deux boucles à pression verrouillantes (T6111); et récipient étanche.
BRFKT25/25FT BRFKT50/50FT BRFKT75/75FT BRFKT100/100FT	Même que les ensembles BRFK, sauf avec harnais léger intégral Titan avec cuissardes à boucle d'ardillon (T4500).
*Ajoutez un « C » à la fin du numéro de modèle pour l'ensemble ReadyRoof canadien avec coulisseau de sécurité traînant de dimensions normales avec dispositif anti-panique (8175/C).	

Mises en garde et restrictions

- À utiliser par UNE seule personne. Capacité maximale : 310 lb (140,6 kg), y compris les outils. – NE PAS EXCÉDER CE POIDS.
- Les points d'ancrage doivent pouvoir supporter 5 000 lb (22.2kN) dans la direction autorisée par le système pendant son utilisation (ou garantir un facteur de sécurité de 2 : 1).
- On doit lire, comprendre et observer toutes instructions, mises en garde et exigences relatives aux éléments des systèmes individuels.
- Le coulisseau de sécurité doit être orienté sur le câble de sécurité de façon que la flèche gravée pointe vers l'ancre pour toitures pour permettre un bon fonctionnement du système.
- Force d'arrêt maximale du système : 900 lb (4 kN).

Installation

Comment enfiler le harnais intégral.



1. Tenir le harnais par l'anneau dorsal en D et le secouer pour que toutes les sangles tombent en place. Si les sangles de poitrine, de taille ou cuissardes sont bouclées, c'est à cette étape qu'il faut les déboucler.
2. Passer les bretelles sur les épaules afin que l'anneau dorsal en D se place au milieu du dos, entre les omoplates.
3. Tirer les sangles cuissardes entre les jambes et les raccorder à l'extrémité opposée pour chaque jambe.
4. Raccorder la sangle de poitrine et la placer au centre de la poitrine à 6 po (152 mm) à 8 po (203 mm) sous la trachée, mais pas au-dessous du sternum. Resserrer afin de maintenir la tension des bretelles.
5. Une fois toutes les sangles bouclées, resserrer toutes les boucles afin que le harnais soit confortablement ajusté tout en assurant une pleine liberté de mouvements. Ranger l'excédent des courroies dans les anneaux de retenue.

Comment installer l'ancre pour toitures.

Se reporter aux sections 3.0, 4.0 et 4.1 du présent manuel pour connaître les instructions d'installation de l'ancre RA15-1 pour toitures.

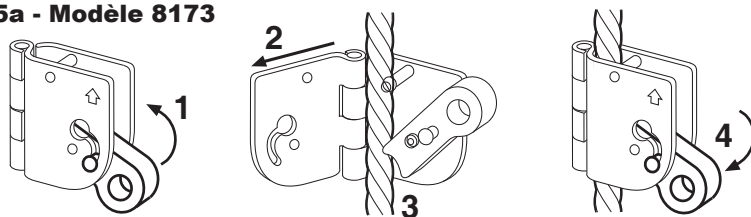
Comment raccorder la boucle à pression du câble de sécurité à l'anneau en D de l'ancre pour toitures.

S'assurer que la boucle à pression se ferme et se verrouille complètement.

Comment fixer le coulisseau de sécurité au câble de sécurité.

Se reporter à la Fig. 5a ou 5b, selon le coulisseau inclus dans le système.

Fig. 5a - Modèle 8173

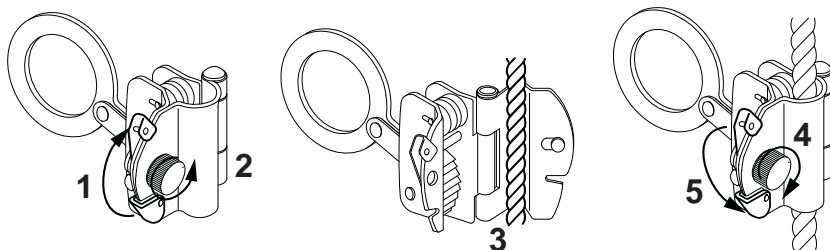


1. Ouvrir le dispositif en faisant pivoter le levier verrouillant vers le haut; et
2. Ouvrir la plaque latérale.
3. Placer le dispositif sur le câble de sécurité approprié, la flèche pointant vers le haut en direction du point d'ancrage du câble.

MISE EN GARDE : Quand on attache le dispositif au câble de sécurité, **NE JAMAIS** faire pointer la flèche vers le bas; en cas de chute, il ne pourrait pas se verrouiller sur le câble.

4. Fermer le dispositif autour du câble de sécurité et faire pivoter le levier verrouillant vers le bas.

Fig. 5b - Modèle 8175



1. Ouvrir le loquet, et
2. Dévisser la vis de serrage pour ouvrir le dispositif
3. Placer le dispositif sur le câble de sécurité approprié, la flèche pointant vers le haut en direction du point d'ancrage du câble.

MISE EN GARDE : Quand on attache le dispositif au câble de sécurité, **NE JAMAIS** faire pointer la flèche vers le bas; en cas de chute, il ne pourrait pas se verrouiller sur le câble.

4. Fermer le dispositif autour du câble de sécurité, serrer la vis, et
5. Fermer le loquet.

Comment raccorder la longe entre le coulisseau de sécurité et l'anneau dorsal en D du harnais.

La boucle à pression amortisseur de chocs doit être raccorder à l'anneau dorsal en D du harnais; la boucle à pression de la longe se raccorde au coulisseau de sécurité. S'assurer que les deux boucles à pression se ferment et se verrouillent complètement.

5.2 Ensembles d'ancrages Miller pour toitures

L'ensemble d'ancrage Miller pour toitures est un système personnel d'arrêt de chute pour applications sur couvertures dans un sac commode pour le transport.



Ensembles d'ancrages Miller pour toitures

Modèle*	Description
RA20-25/25FT RA20-50/50FT	L'ensemble comprend deux ancres réutilisables pour toitures (RA20-1); harnais intégral extensible DuraFlex (E850); coulisseau de sécurité manuel en acier inoxydable avec longe de 2 pi fixée à l'amortisseur de chocs SoftStop (8757LS); câble de sécurité en nylon de 5/8 po avec cosses (195R-2 – longueur spécifiée dans le numéro de modèle); force de traction minimale de 6 000 lb (27kN); mousqueton d'acier à verrou rotatif (17D-1) et sac de transport.
*Ajouter un « C » à la fin du numéro de modèle pour l'ensemble canadien d'ancrage pour toitures avec coulisseau de sécurité manuel à caractéristique anti-panique et longe de 2 pi attachée avec amortisseur de chocs SofStop (8757LS/24IYLC).	

Mises en garde et restrictions

- À utiliser par UNE seule personne. Capacité maximale : 310 lb (140,6 kg), y compris les outils. – NE PAS EXCÉDER CE POIDS.
- Les points d'ancrage doivent pouvoir supporter 5 000 lb dans la direction autorisée par le système pendant son utilisation (ou garantir un facteur de sécurité de 2 : 1).
- On doit lire, comprendre et observer toutes instructions, mises en garde et exigences relatives aux éléments des systèmes individuels.
- Le coulisseau de sécurité doit être orienté sur le câble de sécurité de façon que la flèche gravée pointe vers l'ancre pour toitures pour permettre un bon fonctionnement du système.
- Force d'arrêt maximale du système : 900 lb (4 kN).

Installation

Comment enfiler le harnais intégral.



1. Tenir le harnais par l'anneau dorsal en D et le secouer pour que toutes les sangles tombent en place. Si les sangles de poitrine, de taille ou cuissardes sont bouclées, c'est à cette étape qu'il faut les déboucler.
2. Passer les bretelles sur les épaules afin que l'anneau dorsal en D se place au milieu du dos, entre les omoplates.
3. Tirer les sangles cuissardes entre les jambes et les raccorder à l'extrémité opposée pour chaque jambe.
4. Raccorder la sangle de poitrine et la placer au centre de la poitrine à 6 po (152 mm) à 8 po (203 mm) sous la trachée, mais pas au-dessous du sternum. Resserrer afin de maintenir la tension des bretelles.
5. Une fois toutes les sangles bouclées, resserrer toutes les boucles afin que le harnais soit confortablement ajusté tout en assurant une pleine liberté de mouvements. Ranger l'excédent des courroies dans les anneaux de retenue.

Comment installer l'ancre pour toitures.

Se reporter aux sections 3.0, 4.0 et 4.1 du présent manuel pour connaître les instructions d'installation de l'ancre RA15-1 pour toitures.

Comment raccorder le câble de sécurité à un anneau en D d'ancrage pour toitures à l'aide du mousqueton.

1. Faire pivoter le loquet du mousqueton pour déverrouiller.
2. Ouvrir le loquet par l'intérieur; effectuer le raccord; puis dégager le loquet.

S'assurer que le mousqueton se ferme et se verrouille complètement.

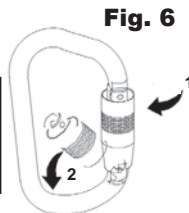
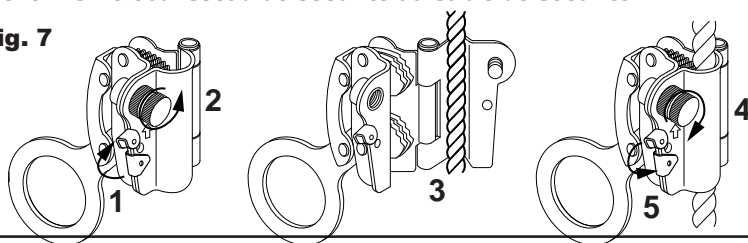


Fig. 6

Comment fixer le coulisseau de sécurité au câble de sécurité.

Fig. 7



1. Ouvrir le loquet, et
2. Dévisser la vis de serrage pour ouvrir le dispositif
3. Placer le dispositif sur le câble de sécurité approprié, la flèche pointant vers le haut en direction du point d'ancrage du câble.

MISE EN GARDE : Quand on attache le dispositif au câble de sécurité, NE JAMAIS faire pointer la flèche vers le bas; en cas de chute, il ne pourrait pas se verrouiller sur le câble.

4. Fermer le dispositif autour du câble de sécurité, serrer la vis, et
5. Fermer le loquet.
6. Pour replacer le coulisseau de sécurité sur le câble, soulever la poignée à ressort qui se raccorde aux cames d'accrochage. Faire glisser le coulisseau à la position voulue sur le câble et relâcher la poignée. Les cames d'accrochage maintiennent le coulisseau en place.

Comment raccorder la longe entre le coulisseau de sécurité et l'anneau dorsal en D du harnais.

La boucle à pression amortisseur de chocs doit être raccordée à l'anneau dorsal en D du harnais; la boucle à pression de la longe se raccorde au coulisseau de sécurité. S'assurer que les deux boucles à pression se ferment et se verrouillent complètement.

5.3 Ensembles de protection antichute Titan

L'ensemble de protection Titan pour couvertures est un système personnel complet pour applications sur couvertures.



Ensembles de protection antichute Titan

Modèle*	Description
TRK4000/25FT TRK4000/50FT	L'ensemble comprend une ancre réutilisable pour toitures avec anneau en D (RA15-1); harnais intégral léger Titan avec cuissardes à boucle à emboîtement (T4000); coulisseau de sécurité compact trainant (8173 OU *8175/C au Canada); câble de sécurité de 5/8 po de diam. En polyester/polypropylène avec boucle et boucle à pression (300L – longueur spécifiée dans le numéro de modèle; force de traction de 6 000 lb); et longe amortisseur de chocs de style boîtier Titan de 3 pi avec deux boucles à pression verrouillantes (T6111).
TRK4500/25FT TRK4500/50FT	Même que les ensembles TRK, sauf un harnais léger intégral Titan avec cuissardes à boucle d'ardillon (T4500).

*Ajouter un « C » à la fin du numéro de modèle pour l'ensemble canadien de protection contre les chutes pour toitures avec coulisseau trainant de dimensions normales avec caractéristique anti-panique (8175/C).

Mises en garde et restrictions

- À utiliser par UNE seule personne. Capacité maximale : 310 lb (140,6 kg), y compris les outils. – NE PAS EXCÉDER CE POIDS.
- Les points d'ancrage doivent pouvoir supporter 5 000 lb dans la direction autorisée par le système pendant son utilisation (ou garantir un facteur de sécurité de 2 : 1).
- On doit lire, comprendre et observer toutes instructions, mises en garde et exigences relatives aux éléments des systèmes individuels.
- Le coulisseau de sécurité doit être orienté sur le câble de sécurité de façon que la flèche gravée pointe vers l'ancre pour toitures pour permettre un bon fonctionnement du système.
- Force d'arrêt maximale du système : 900 lb (4 kN).

Installation

Suivre les instructions d'installation à la section 5.1 du présent manuel.

5.4 Ensembles pour toitures de conformité Titan B-Compliant

L'ensemble de conformité Titan B-Compliant pour couvertures est un système personnel complet et économique d'arrêt de chute pour applications sur couvertures et est contenu dans un seau imperméable pour en faciliter le transport et le remisage.



Ensembles pour toitures de conformité Titan B-Compliant

Modèle	Description
TRK2000/25FT TRK2000/50FT	L'ensemble comprend une ancre réutilisable pour toitures avec anneau d'attache en D (RA15-1); harnais intégral léger Titan avec cuissardes à boucle à emboîtement; câble de sécurité de 5/8 po de diam. En polyester/polypropylène avec boucle et boucle à pression verrouillante (300L – longueur spécifiée dans le numéro de modèle; force de traction de 6 000 lb) et coulisseau de sécurité traînant fixé en permanence avec longue amortisseur de chocs de style boîtier de 3 pi Titan avec boucle à pression verrouillante; et récipient étanche.

Mises en garde et restrictions

- À utiliser par **UNE seule personne**. Capacité maximale : 310 lb (140,6 kg), y compris les outils. – **NE PAS EXCÉDER CE POIDS**.
- Les points d'ancrage doivent pouvoir supporter 5 000 lb dans la direction autorisée par le système pendant son utilisation (ou garantir un facteur de sécurité de 2 : 1).
- On doit lire, comprendre et observer toutes instructions, mises en garde et exigences relatives aux éléments des systèmes individuels.
- Le coulisseau de sécurité doit être orienté sur le câble de sécurité de façon que la flèche gravée pointe vers l'ancre pour toitures pour permettre un bon fonctionnement du système.
- Force d'arrêt maximale du système : 900 lb (4 kN).

Installation

Comment enfiler le harnais intégral.

1. Tenir le harnais par l'anneau dorsal en D et le secouer pour que toutes les sangles tombent en place. Si les sangles de poitrine, de taille ou cuissardes sont bouclées, c'est à cette étape qu'il faut les déboucler.
2. Passer les bretelles sur les épaules afin que l'anneau dorsal en D se place au milieu du dos, entre les omoplates.
3. Tirer les sangles cuissardes entre les jambes et les raccorder à l'extrémité opposée pour chaque jambe.
4. Raccorder la sangle de poitrine et la placer au centre de la poitrine à 6 po (152 mm) à 8 po (203 mm) sous la trachée, mais pas au-dessous du sternum. Resserer afin de maintenir la tension des bretelles.
5. Une fois toutes les sangles bouclées, resserrer toutes les boucles afin que le harnais soit confortablement ajusté tout en assurant une pleine liberté de mouvements. Ranger l'excédent des courroies dans les anneaux de retenue.

Comment installer l'ancre pour toitures.

Se reporter aux sections 3.0, 4.0 et 4.1 du présent manuel pour connaître les instructions d'installation de l'ancre RA15-1 pour toitures.

Raccorder la boucle à pression du câble de sécurité à l'anneau en D de l'ancre pour toitures.

La boucle à pression du câble de sécurité doit être raccordée à l'anneau en D de l'ancre pour toitures pour faire en sorte que le coulisseau de sécurité pointe dans la bonne direction pour assurer un fonctionnement adéquat. S'assurer que la boucle à pression se ferme et se verrouille complètement.

ATTENTION : La flèche gravée sur le coulisseau doit pointer vers la boucle à pression du câble de sécurité pour que le système fonctionne adéquatement et assure la sécurité de l'utilisateur. (Voir Figure 8.)

Fig. 8

Fixer la boucle à pression du câble de sécurité à l'anneau en D de l'ancre pour toitures.



Raccorder la boucle à pression du boîtier amortisseur de chocs de la longe à l'anneau dorsal en D du harnais.

S'assurer que la boucle à pression se ferme et se verrouille complètement.

6.0 Inspection et Entretien

6.1 Inspection

Les ancrages et ensembles de protection antichute Miller pour toitures doivent être vérifiés visuellement par l'utilisateur avant chaque usage et inspectés régulièrement par une personne compétente.

Effectuer les vérifications suivantes selon le produit ou système:

Ancrage pour toitures

Vérifier le produit pour y détecter les anomalies suivantes : pièces pliées, craquelées, déformées, usées, endommagées ou fonctionnant mal; bords inégaux ou acérés; attaches lâches ou pièces/composantes manquantes; corrosion; détérioration; signes indiquant que le produit a été soumis à un arrêt de chute; ou toute autre indication d'avarie ou de problèmes susceptibles d'influer sur l'intégrité et le fonctionnement du produit. En cas de doute, communiquer avec le fabricant.

Harnais

Sangle / Brins : Prenez la sangle entre vos mains placées à 6 à 8 po d'écart. Courbez la sangle de façon à former un U inversé comme représenté. La tension superficielle résultante rend l'endommagement des fibres ou les ruptures plus faciles à voir. Répéter ce procédé sur toute la longueur de la sangle, en inspectant les deux côtés de chaque sangle. Recherchez les bords effilochés, fibres rompues, fils tirés, coupures, brûlures et dommages.



Anneaux d'arrimage / Coussinets : Vérifiez si les anneaux d'arrimage présentent une déformation, des fissures, des brisures ou des bords rugueux ou coupants. L'anneau d'arrimage doit pivoter librement. Vérifiez s'ils présentent une usure inhabituelle, des fibres éraillées ou coupées, ou des brins sectionnés sur les fixations des anneaux d'arrimage. On doit aussi vérifier si les coussinets présentent des fissures ou autres signes de détérioration.



Boucles : Vérifier toutes les boucles pour détecter toutes distorsions, craquelures, cassures et bords inégaux ou acérés. L'inspecter pour détecter toute usure anormale, fibres effilochées ou coupées, fibres rompues aux points d'attache des boucles. S'assurer que les boucles s'engagent adéquatement.

Boucles à arpillons / Crans : S'assurer que les arpillons ne présentent aucune déformation et qu'ils peuvent bouger librement, de l'avant à l'arrière. Le cylindre doit se mouvoir librement. Vérifiez s'il y a de la déformation ou des bords coupants; vérifiez s'il y a des crans lâches, déformés ou brisés. On ne doit ajouter aucun cran supplémentaire à la sangle.

Boucles à friction et à emboîtement : Vérifiez si la boucle présente une certaine déformation. Les barres extérieures et les barres centrales doivent être droites. Portez une attention particulière aux coins et aux points de fixation à la barre centrale.

En outre, inspecter le produit pour y détecter tous signes indiquant que le produit a été soumis à un arrêt de chute ou toutes autres indications d'avarie ou de problèmes susceptibles d'influer sur l'intégrité et le fonctionnement du produit. En cas de doute, communiquer avec le fabricant.

Coulisseau de sécurité

Vérifier le produit pour y détecter les anomalies suivantes : pièces pliées, craquelées, déformées, usées, endommagées ou fonctionnant mal; bords inégaux ou acérés; attaches lâches ou pièces/composantes manquantes; corrosion; détérioration; signes indiquant que le produit a été soumis à un arrêt de chute; ou toute autre indication d'avarie ou de problèmes susceptibles d'influer sur l'intégrité et le fonctionnement du produit. En cas de doute, communiquer avec le fabricant.

Vérifier les cliquets et les ressorts (8174 et 8175 modèles) pour voir s'il n'y a pas de dommages ou de perte de tension.

Vérifier les cliquets et le mécanisme de verrouillage (8175 modèles).

S'assurer que le coulisseau de sécurité fonctionne adéquatement, librement et uniquement pour les fins prévues par le fabricant.

Longe/câble de sécurité vertical

Lors de l'inspection des longes et des câbles de sécurité verticaux, commencer à une extrémité et procéder jusqu'à l'extrémité opposée. Faire pivoter lentement la longe ou le câble de sécurité de façon à vérifier toute la circonférence.

Sangle/brins : En cintrant une sangle sur un tuyau ou autre accessoire cylindrique, observer chaque face de la sangle pour y détecter les coupures et les ruptures. Les gonflements, changements de couleur, fissures et traces de combustion sont des indices évidents de détérioration par la chaleur ou les produits chimiques. Rechercher attentivement les brins rompus.



Cordage : Par le pivotement du câble de sécurité en cordage lors de son inspection d'une extrémité à l'autre, on pourra détecter les brins coupés, rompus, usés ou avariés. Toute zone affaiblie par une charge extrême sera caractérisée par une modification notable du diamètre initial. Le diamètre du cordage doit être uniforme dans toute sa longueur après une brève période de rodage.



Boucles à pression/oeillets : Inspecter soigneusement pour détecter des distorsions de boucle et d'œillet, craquelures, bris, corrosion, surfaces trouées ou bords rugueux ou acérés. Le loquet doit prendre appui contre le nez du crochet sans plier et sans être tordu ni obstrué. Le ressort du loquet doit exercer une force suffisante pour fermer adéquatement le loquet. Lorsque le loquet est fermé, le mécanisme de verrouillage DOIT empêcher le loquet de s'ouvrir. L'œillet doit reposer fermement dans l'œil de l'épissure, et l'épissure ne doit avoir aucun brin lâche ou coupé. Les bords de l'œillet doivent être libres de bords acérés, de distorsion ou de craquelures.



Amortisseur de chocs de type boîtier : Examiner la partie externe du dispositif pour détecter des cavités et des déchirures de brûlure. On doit examiner les fils sur les parties où le paquet est cousu à la longe ou à la quincaillerie pour détecter des fils lâches, des déchirures, de la détérioration ou d'autres signes d'activation.

Mousqueton

Vérifier le produit pour y détecter les anomalies suivantes : pièces pliées, craquelées, déformées, usées, endommagées ou fonctionnant mal; bords inégaux ou acérés; attaches lâches ou pièces/composantes manquantes; corrosion; détérioration; signes indiquant que le produit a été soumis à un arrêt de chute; ou toute autre indication d'avarie ou de problèmes susceptibles d'influer sur l'intégrité et le fonctionnement du produit. En cas de doute, communiquer avec le fabricant.

Vérifier le mousqueton pour s'assurer qu'il fonctionne librement et uniquement pour les fins prévues par le fabricant. S'assurer que le loquet est posé adéquatement sans plier et n'est ni tordu ni obstrué. Le ressort du loquet doit exercer une force suffisante pour fermer solidement le loquet. Lorsque le loquet est fermé, le mécanisme de verrouillage DOIT empêcher le loquet de s'ouvrir.

**Les dispositifs qui ne passent pas l'inspection
ou qui ont été soumis à des forces d'arrêt de chute
doivent être retirés du service.**

6.2 Nettoyage et Entreposage

En apportant un soin élémentaire à l'équipement de protection antichute Miller, on prolongera la durée utile de l'élément et en assurera l'efficacité. Il est tout aussi important d'entreposer et de bien entretenir l'équipement après usage que de le nettoyer de la saleté, des corrosifs ou des contaminants. Les aires d'entreposage doivent être propres, sèches et non exposées aux émanations et aux éléments corrosifs.

Nettoyer périodiquement le dispositif à l'aide d'une éponge humectée d'une solution douce d'eau et de savon ou détergent commercial pour enlever toute saleté, peinture ou autre matière ayant pu s'accumuler. Assécher à l'aide d'un chiffon propre et/ou étendre à l'air libre, loin de la chaleur excessive, de la vapeur, ou du soleil pour des périodes prolongées. Entreposer dans un endroit propre et sec lorsque non utilisé.

6.3 Entretien

Les réparations doivent être effectuées uniquement par le fabricant de l'équipement, ou par des personnes ou entités autorisées par écrit par le fabricant. On doit tenir un registre de toutes les dates d'entretien et d'inspection pour ce dispositif. Seules les pièces de rechange Miller d'origine sont approuvées pour être utilisées dans ce dispositif. Les dispositifs non réparables qui échouent à l'inspection doivent être éliminés pour éviter qu'on ne les utilise ultérieurement par inadvertance. Si vous avez des questions, communiquez avec les Services techniques Miller, au 1-800-873-5242.

Gracias

Le agradecemos su compra de equipo anticaídas Miller. Los productos de la marca Miller son manufacturados para cumplir con las más altas normas de calidad en nuestra fábrica, la cual posee la certificación ISO 9001. Cuidados como es debido, los equipos anticaídas Miller le servirán muchos años.

ADVERTENCIA

Toda persona que use este equipo debe leer, comprender y seguir cabalmente todas las instrucciones. No hacerlo podría tener como consecuencia lesiones graves o mortales. No use este equipo si no ha sido debidamente entrenado.

¿Consultas?

LLAMAR AL
1.800.873.5242

Es fundamental que la persona o usuario autorizado de este equipo anticaídas lea y comprenda las presentes instrucciones. Además, es responsabilidad del empleador que todos los usuarios hayan recibido capacitación para usar, inspeccionar y dar el debido mantenimiento al equipo anticaídas. La capacitación anticaídas debe ser parte integral de un programa completo de seguridad.

La utilización correcta de los sistemas de detención de caídas puede salvar vidas y disminuir las posibilidades de lesiones graves en caso de una caída. Los usuarios deben estar conscientes de que las fuerzas ejercidas para detener una caída o durante una suspensión prolongada pueden causar lesiones. Consulte a un médico en caso de duda sobre la capacidad del usuario para emplear este producto. Las mujeres embarazadas y los niños no deben usar este producto.

1.0 Requisitos Generales, Advertencias y Limitaciones

Deben suministrarse a las personas y usuarios autorizados todas las advertencias e instrucciones.

Todas las personas y usuarios autorizados deben consultar los reglamentos de seguridad laboral y las normas ANSI o CSA que correspondan. Las etiquetas del producto contienen información sobre los reglamentos OSHA y las normas ANSI y CSA que cumple el producto.

Siempre deben tomarse las debidas precauciones al retirar del área de trabajo obstrucciones, basura, material y otros peligros reconocidos que pudieran causar lesiones o interferir en el funcionamiento del sistema.

Todo el equipo debe ser inspeccionado visualmente antes de cada uso de conformidad con las instrucciones del fabricante.

Todo el equipo debe ser inspeccionado con regularidad por una persona calificada.

A fin de reducir al mínimo las posibilidades de un desenganche accidental, una persona competente debe garantizar la compatibilidad del sistema.

El equipo no debe ser alterado de ninguna forma. Las reparaciones deben ser efectuadas exclusivamente por el fabricante del equipo o bien por personas o entidades autorizadas por escrito por el fabricante.

Todo producto con deformidades, desgaste anormal o deterioro debe ser desechado de inmediato.

Todo equipo sometido a una caída debe ser puesto fuera de servicio.

El usuario debe contar con un plan y medios de rescate a mano para poder aplicarlos al usar este equipo.

Jamás lo utilice para fines distintos al proyectado. No use jamás el equipo para remolcar o izar objetos.

No debe exponerse el equipo a peligros ambientales ni a sustancias químicas que puedan producir un efecto perjudicial.

No permita que la cuerda o el tejido entren en contacto con cualquier cosa que pueda dañarlos, como superficies afiladas, abrasivas, ásperas o a alta temperatura, soldadura, fuentes de calor, peligros eléctricos o maquinaria en movimiento.

Debe protegerse todo el material sintético con el objeto de mantenerlo alejado de escorias, chispas calientes, llamas y otras fuentes de calor. Para tales usos se recomienda el uso de materiales resistentes al calor.

El uso en un ambiente altamente corrosivo o cáustico dicta un programa más frecuente de la

inspección y del mantenimiento para asegurarse de que la integridad del sistema está mantenida.

No exponga el equipo a ningún peligro que no pueda soportar según su diseño de fabricación. En caso de duda consulte al fabricante.

Siempre revise para ver si hay obstrucciones abajo del área de trabajo con el fin de asegurarse de que esté despejada la trayectoria de una posible caída.

Deje una distancia segura de caída adecuada abajo de la superficie de trabajo.

Nunca desprenda etiquetas de los productos, las cuales pueden incluir importantes advertencias e información para la persona o usuario autorizado.

2.0 Compatibilidad del Sistema

Los productos anticaídas Miller están fabricados para usarse con componentes aprobados por dicha compañía. La sustitución o reemplazo de dichos componentes con combinaciones no aprobadas de componentes o subsistemas, puede afectar o interferir en el funcionamiento seguro de cada componente y poner en peligro la compatibilidad dentro del sistema. Esta incompatibilidad puede afectar la fiabilidad y seguridad del sistema total.

3.0 Anclas para Techos y Juegos de Sistemas de Protección Anticaídas para Techado

Advertencias sobre la instalación, limitaciones y requisitos para anclas para techos y juegos de sistemas de protección anticaídas para techado

Antes de instalar cualquier anclaje para techos o sistema de techado, inspecciónelo cuidadosamente para asegurarse de que se encuentre en condiciones de ser usado. Verifique que no haya piezas faltantes o deterioradas. No use este producto si cualquier componente no funciona correctamente o parece estar dañado de cualquier forma. Consulte la sección sobre inspección de este manual.

Sólo personal entrenado y competente debe instalar y utilizar este equipo.

El ancla y el sistema deben instalarse y usarse de tal manera que se reduzca al mínimo la posibilidad de una caída columpiada y se limite la distancia de caída libre a 1.8 m (6 pies) o menos.

Asegúrese de que el punto de anclaje elegido se encuentre a una altura tal que, en caso de una caída, no haga impacto en un nivel inferior. Para garantizar una distancia segura de caída considere lo siguiente:

- Los sujetacuerdas tienen una distancia máxima de detención de caída de 1.0 m (39 pulg).
- Las cuerdas salvavidas de cuerda sintética pueden estirarse hasta un 5%. Para las cuerdas salvavidas de cuerda sintética, agregue 0.3 m (1 pie) de distancia segura de caída por cada 6 m (20 pies) de cuerda arriba del punto de conexión.
- Siempre recuerde que los amortiguadores de impacto se estiran al ser sometidos a las fuerzas de detención de caída. Consulte las etiquetas del dispositivo de conexión para obtener la distancia máxima de estiramiento.
- Además de lo anterior, es vital considerar otros componentes y variables, como la altura del trabajador al nivel de la argolla "D" posterior que porta, la longitud de la línea de vida, la posición del trabajador en relación con el anclaje y el posible estiramiento hasta de 0.3 m (1 pie) del arnés.
- Miller Fall Protection recomienda agregar un factor de seguridad de 0.9 m (3 pies) en todos los cálculos de la distancia segura de caída.
- Llame al Depto. de Servicio Técnico de Miller si tiene alguna pregunta sobre el cálculo de la distancia segura de caída.

Los sistemas para detención de caídas deben equiparse de conformidad con los requisitos regulatorios. [Es preciso leer, comprender y seguir las instrucciones y advertencias suministradas con el sistema personal para detención de caídas.]

Asegúrese de que todas las conexiones del sistema para detención de caídas sean compatibles.

El conector de anclaje debe ser compatible con el gancho de resorte o con el mosquetón del dispositivo de conexión, y no debe aplicar ninguna carga en el retén o linguete.

Sólo utilice mosquetones aseguradores, ganchos aseguradores de resorte u otros conectores o dispositivos de conexión aprobados por Miller para unirlos a este equipo.

Jamás use un conector de anclaje que impida el cierre del gancho de resorte o del retén o linguete del mosquetón.

Las anclas para techos y juegos de sistemas de techado Miller son SOLAMENTE PARA UNA PERSONA.

Nunca trabaje arriba del ancla para techos (es decir, nivel más alto, viga maestra, estructura más alta del techo, etc.)

Estos sistemas no son adecuados cuando el usuario está colocado en una superficie inestable, material de grano fino o sólidos granulados como la arena o el carbón.

Deben mantenerse limpias las cuerdas salvavidas.

Nunca permita que la cuerda salvavidas se ponga holgada entre el sujetacuerda y el ancla para techos.

Nunca permita que la cuerda salvavidas se enrede o pase abajo de los brazos, piernas, cuello o ningún obstáculo.

No haga nudos en las cuerdas salvavidas.

Use sujetacuerdas sólo con la cuerda salvavidas vertical adecuada incluida en el juego de sistema.

No use el sistema si el sujetacuerda no sujeta la cuerda salvavidas.

La estructura a la que se fije esta ancla y este sistema debe ser capaz de soportar 22.2 kN (5,000 lb) de carga de tracción u ofrecer un factor de seguridad de 2:1 en la dirección del tirón.

Todas las anclas para techos, cuando se instalan de conformidad con las instrucciones de Miller como parte de un sistema para detención de caídas personal Miller, cumplen el requisito con respecto a la resistencia de anclajes estipulado por OSHA de mantener un factor de seguridad de dos por lo menos.

Los requisitos para el anclaje basados en las normas ANSI Z359.1 son como sigue:

- Para los sistemas de detención de caídas, los anclajes deben poder soportar una carga estática de 5,000 lb (22.2 kN) en el caso anclajes no certificados o dos veces la fuerza de detención máxima en el caso de anclajes certificados.
- Para los sistemas de detención de posicionamiento, los anclajes deben poder soportar una carga estática de 3,000 lb (13.3 kN) en el caso anclajes no certificados o dos veces la fuerza previsible en el caso de anclajes certificados.
- Para limitación de desplazamiento, los anclajes deben poder soportar una carga estática de 1,000 lb (4.5 kN) en el caso anclajes no certificados o dos veces la fuerza previsible en el caso de anclajes certificados.
- Cuando se sujeta más de un sistema personal de detención de caídas a un anclaje, se deben multiplicar las fuerzas de anclaje indicadas arriba por el número de sistemas sujetos a dicho anclaje.

Antes de la instalación y antes de cada uso inspeccione la estructura y los miembros del techo (es decir, pies derechos, viguetas, cabios, armaduras, etc.) donde el ancla está instalada o será instalada para ver si hay madera deteriorada, putrefacción, desintegración, defectos o cualquier otra condición dudosa. Asegúrese de que la estructura de soporte esté en condiciones de soportar las cargas anticipadas creadas en la detención de una caída. Antes de usar cualquier sistema de protección anticaídas para techado, asegúrese de que el ancla esté instalada debidamente y de manera segura con el número requerido de fijadores.


Todas las anclas para techos y juegos de sistema de protección anticaídas para techado cumplen las normas OSHA. Para verificar las normas ANSI y CSA que cumple el producto, consulte las etiquetas del mismo.

4.0 Anclas TEMPORALES para Techos

Las anclas temporales Miller para techos son conectores de anclaje diseñados para aplicaciones de techado y son para usarse con los sistemas completos de techos Miller.

Las anclas para techos RA15-1, RA20-1, RA30-1 y RA35-1 sólo pueden usarse como puntos de anclaje temporal y no deben usarse donde se necesiten anclas permanentes.

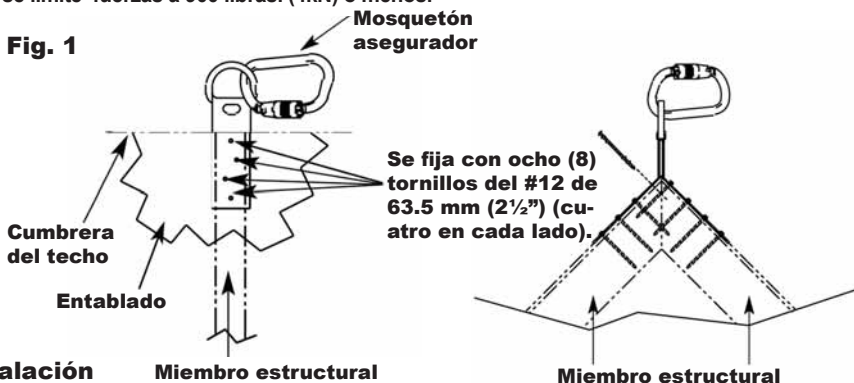
Las anclas para techos RA15-1, RA20-1, RA30-1 y RA35-1 son conectores de anclaje reutilizables diseñados para cambiarse de posición a medida que avanza el trabajo, pero siempre que el ancla para techos no ha sido sometida a fuerzas de detención de caída y no ha sido dañada de ninguna manera (consultar la sección sobre inspección de este manual). Cada vez que se instale el ancla para techos se recomienda usar los fijadores y piezas varias nuevos.

Anclas TEMPORALES para techos		
Foto del producto	Núm. de modelo	Descripción
	RA15-1	Ancla para techos reutilizable con argolla "D" Incluye 10 anclas para techos; cada ancla incluye ocho (8) tornillos de cabeza troncocónica #12 de 63.5 mm (2½") Material: Acero
	RA20-1	Ancla para techos reutilizable Incluye 2 anclas para techos; cada ancla incluye ocho (8) tornillos de cabeza troncocónica #12 de 63.5 mm (2½") Material: Acero
	RA30-1	Ancla para techos reutilizable con argolla redonda para techos de alta, baja o ninguna pendiente Incluye doce (12) clavos 16d nails y seis (6) tirafondos de 6.4 mm x 63.5 mm (¼" x 2½") Materiales: Acero, cobre y náilon
	RA35-1	Ancla para techos reutilizable con argolla redonda para superficies planas Incluye seis (6) clavos 16d nails y tres (3) tirafondos de 6.4 mm x 63.5 mm (¼" x 2½") Material: Acero

4.1 RA15-1 – Ancla temporal para techos

Advertencias y limitaciones

- Para UNA sola persona únicamente. La capacidad máxima es 140.6kg (310 lb), incluidas las herramientas. — NO EXCEDA ESTE PESO. El ancla RA15-1 sólo debe ser utilizada por el instalador original.
- Los puntos de anclaje deben ser capaces de soportar 22.2kN (5,000 lb) en la dirección permitida por el sistema mientras se tiene en uso (u ofrecer un factor de seguridad de 2:1).
- El ancla para techos RA15-1 está diseñada para instalarse en techos completamente entablados hechos de miembros estructurales de madera (*ver otras opciones de instalación abajo). No la instale en estructuras de techos sin soportes como los aleros o los salientes de tejados a dos aguas. No la instale en tablas de frontis.
- El ancla para techos RA15-1 debe instalarse por lo menos a 0.6 m (2 pies) del borde del techo.
- Debido a la fatiga de los tornillos, se recomienda usar ocho (8) tornillos troncocónicos tipo "A" de acero zincado del #12 de 63.5 mm (2½") cada vez que se instale el ancla. El ancla para techos debe ser inspeccionada cada vez antes de instalarla.
- El ancla para techos RA15-1 se debe utilizar conjuntamente con un amortiguador de choque que se limite fuerzas a 900 libras. (4kN) o menos.



Instalación

1. Localice y marque miembros estructurales del techo o estructuras de soporte sólidos (como pies derechos, viguetas, cabios, armaduras, etc.) bajo el entablado del techo en el lugar donde vaya a instalar el ancla para techos.
2. Para ver la disposición correcta, ver fig. 1.
3. Instale el ancla RA15-1 con ocho (8) tornillos del #12 de 63.5 mm (2½") (cuatro en cada lado).

ADVERTENCIA: Use todos los ocho (8) tornillos del #12 de 63.5 mm (2½") para fijar el ancla para techos RA15-1. Todos los ocho tornillos deben atravesar el entablado y penetrar en la estructura de soporte. Si no se sigue esta advertencia, la conexión de anclaje estará debilitada y podría ocurrir una lesión seria o la muerte en caso de una caída.

ADVERTENCIA: La conexión a la argolla "D" debe efectuarse sólo con un gancho asegurador de resorte, un mosquetón asegurador u otro conector o dispositivo de conexión aprobado por Miller.

*Opciones de instalación

El ancla para techos RA15-1 puede aplanarse e instalarse en una parte plana del techo siempre que todos los ocho (8) tornillos del #12 de 63.5 mm (2½") atraviesen el entablado y penetren en la estructura de soporte.

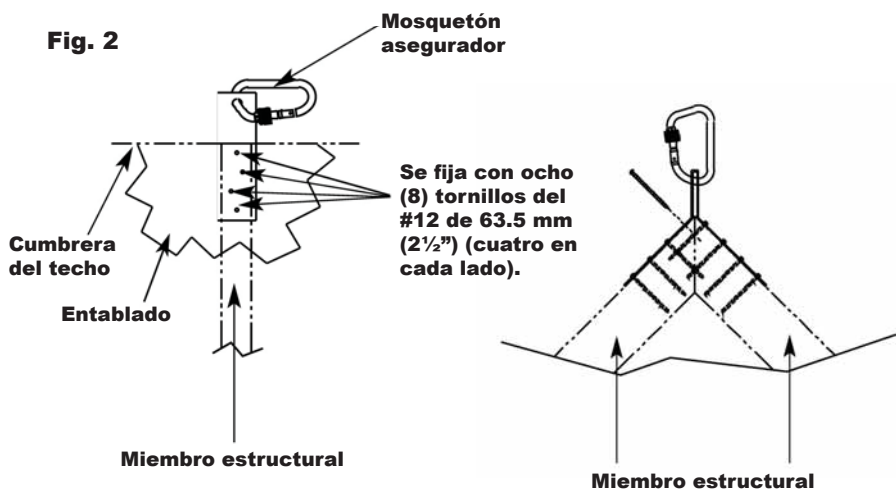
El ancla para techos RA15-1 también puede aplanarse e instalarse en una pared en orientación vertical siempre que todos los ocho (8) tornillos del #12 de 63.5 mm (2½") atraviesen el entablado y penetren en la estructura de soporte.

NOTA: El ancla RA15-1 puede instalarse en un techo metálico cuando la lámina de metal sea de calibre 20 como mínimo, es decir de un espesor de 0.9 mm (0.036"). Puede usarse en su forma original o aplanada y debe instalarse con ocho (8) tornillos TEK del #12. Estos tornillos son taladradores (no se requiere taladrado previo) y no vienen incluidos con el ancla para techos RA15-1.

4.2 RA20-1 – Ancla temporal para techos

Advertencias y limitaciones

- Para UNA sola persona únicamente. La capacidad máxima es 140.6kg (310 lb), incluidas las herramientas. — **NO EXCEDA ESTE PESO.** El ancla RA20-1 sólo debe ser utilizada por el instalador original.
- Los puntos de anclaje deben ser capaces de soportar 22.2kN (5,000 lb) en la dirección permitida por el sistema mientras se tiene en uso (u ofrecer un factor de seguridad de 2:1).
- El ancla para techos RA20-1 está diseñada para instalarse en techos completamente entablados hechos de miembros estructurales de madera. No la instale en estructuras de techos sin soportes como los aleros o los salientes de tejados a dos aguas. No la instale en tablas de frontis.
- El ancla para techos RA20-1 debe instalarse por lo menos a 0.68 m (2 pies) del borde del techo.
- Debido a la fatiga de los tornillos, se recomienda usar ocho (8) tornillos troncocónicos tipo “A” de acero zincado del #12 de 63.5 mm (2½”) cada vez que se instale el ancla. El ancla para techos debe ser inspeccionada cada vez antes de instalarla.
- El ancla para techos RA15-1 se debe utilizar conjuntamente con un amortiguador de choque que se limite fuerzas a 900 libras. (4kN) o menos.



Instalación

1. Localice y marque miembros estructurales del techo o estructuras de soporte sólidos (como pies derechos, viguetas, cabios, armaduras, etc.) bajo el entablado del techo en el lugar donde vaya a instalar el ancla para techos.
2. Para ver la disposición correcta, ver fig. 2.
3. Instale el ancla RA20-1 con ocho (8) tornillos del #12 de 63.5 mm (2½”) (cuatro en cada lado).

ADVERTENCIA: Use todos los ocho (8) tornillos del #12 de 63.5 mm (2½”) para fijar el ancla para techos RA20-1. Todos los ocho tornillos deben atravesar el entablado y penetrar en la estructura de soporte. Si no se sigue esta advertencia, la conexión de anclaje estará debilitada y podría ocurrir una lesión seria o la muerte en caso de una caída.

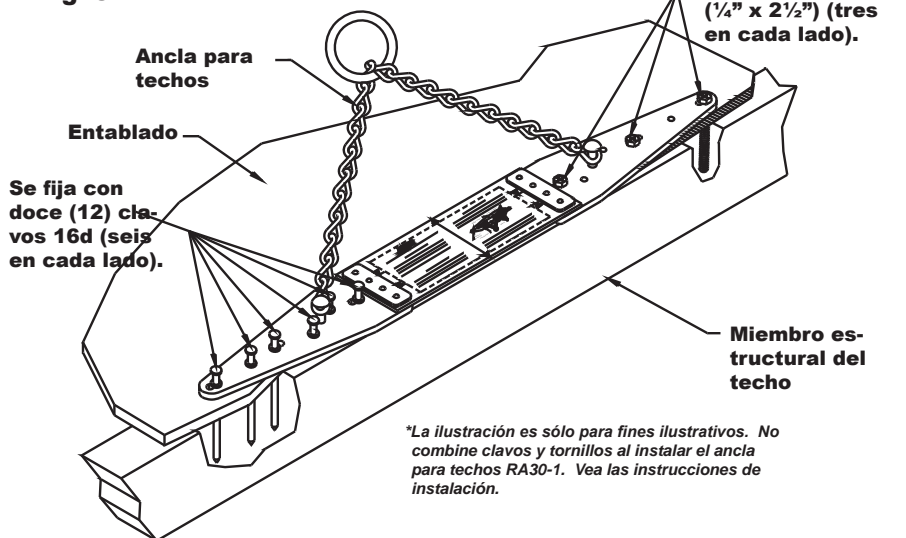
ADVERTENCIA: Toda conexión al ancla para techos RA20-1 debe hacerse sólo con un mosquetón asegurador. NO use ganchos de resorte.

4.3 RA30-1 – Ancla temporal para techos

Advertencias y limitaciones

- Para UNA sola persona únicamente. La capacidad máxima es 140.6kg (310 lb), incluidas las herramientas. — NO EXCEDA ESTE PESO. El ancla RA30-1 sólo debe ser utilizada por el instalador original.
- Los puntos de anclaje deben ser capaces de soportar 22.2kN (5,000 lb) en la dirección permitida por el sistema mientras se tiene en uso (u ofrecer un factor de seguridad de 2:1).
- El ancla para techos RA30-1 está diseñada para instalarse en techos completamente entablados hechos de miembros estructurales de madera. No la instale en estructuras de techos sin soportes como los aleros o los salientes de tejados a dos aguas. No la instale en tablas de frontis.
- El ancla para techos RA30-1 debe instalarse por lo menos a 0.6 m (2 pies) del borde del techo.
- Cada vez que se instale el ancla se recomienda usar doce (12) clavos 16d nuevos O seis (6) tirafondos nuevos de 6.4 mm x 63.5 mm (¼" x 2½") o más largos. El ancla para techos debe ser inspeccionada cada vez antes de instalarla.

Fig. 3



Instalación

1. Localice y marque miembros estructurales del techo o estructuras de soporte sólidos (como pies derechos, viguetas, cabios, armaduras, etc.) bajo el entablado del techo en el lugar donde vaya a instalar el ancla para techos.
2. Para ver la disposición correcta, ver fig. 3. (La ilustración es sólo para fines ilustrativos. No combine clavos y tornillos al instalar el ancla para techos RA30-1.)
3. Instale el ancla para techos RA30-1 con doce (12) clavos 16d (seis en cada lado) O* seis (6) tirafondos de 6.4 mm x 63.5 mm (¼" x 2½") o más largos (tres en cada lado).

ADVERTENCIA: Para fijar el ancla para techos RA30-1 use todos los doce (12) clavos 16d nails O todos los seis (6) tirafondos de 6.4 mm x 63.5 mm (¼" x 2½"). Todos los ocho clavos o tornillos deben atravesar el entablado y penetrar en la estructura de soporte. Si no se sigue esta advertencia, la conexión de anclaje estará debilitada y podría ocurrir una lesión seria o la muerte en caso de una caída.

ADVERTENCIA: La conexión a la argolla redonda debe efectuarse sólo con un gancho asegurador de resorte, un mosquetón asegurador u otro conector o dispositivo de conexión aprobado por Miller.

4.4 RA35-1 – Ancla temporal para techos

Advertencias y limitaciones

- Para UNA sola persona únicamente. La capacidad máxima es 140.6kg (310 lb), incluidas las herramientas. — NO EXCEDA ESTE PESO. El ancla RA35-1 sólo debe ser utilizada por el instalador original.
- Los puntos de anclaje deben ser capaces de soportar 22.2kN (5,000 lb) en la dirección permitida por el sistema mientras se tiene en uso (u ofrecer un factor de seguridad de 2:1).
- El ancla para techos RA35-1 está diseñada para instalarse en techos completamente entablados hechos de miembros estructurales de madera. No la instale en estructuras de techos sin soportes como los aleros o los salientes de tejados a dos aguas No la instale en tablas de frontis.
- El ancla para techos RA35-1 debe instalarse por lo menos a 0.6 m (2 pies) del borde del techo.
- Debido a la fatiga de los tornillos, se recomienda usar ocho (8) tornillos troncocónicos tipo “A” de acero zincado del #12 de 63.5 mm (2½”) cada vez que se instale el ancla. El ancla para techos debe ser inspeccionada cada vez antes de instalarla.

Fig. 4a

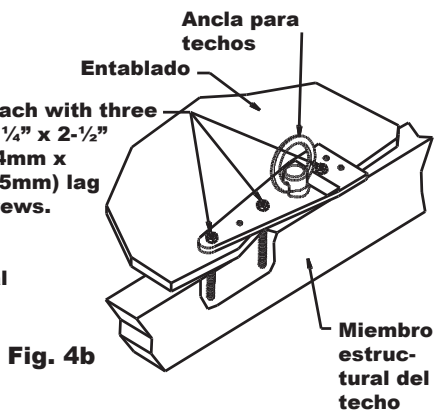
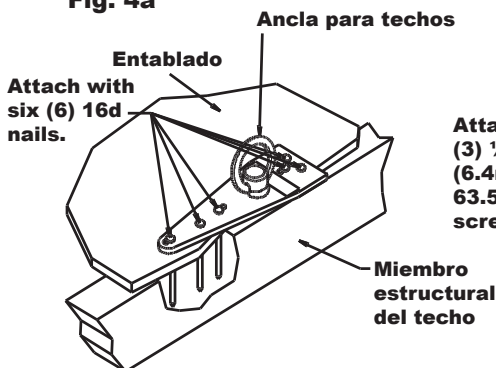


Fig. 4b

Instalación

1. Localice y marque miembros estructurales del techo o estructuras de soporte sólidos (como pies derechos, viguetas, cabios, armaduras, etc.) bajo el entablado del techo en el lugar donde vaya a instalar el ancla para techos.
2. Para ver la disposición correcta, ver fig. 4a ó 4b.
3. Instale el ancla para techos RA35-1 con seis (6) clavos 16d (seis en cada lado) O tres (3) tirafondos de 6.4 mm x 63.5 mm (¼” x 2½”) o más largos (tres en cada lado).

ADVERTENCIA: Para fijar el ancla para techos RA35-1 use todos los seis (6) clavos 16d nails O todos los tres (3) tirafondos de 6.4 mm x 63.5 mm (¼” x 2½”). Todos los ocho clavos o tornillos deben atravesar el entablado y penetrar en la estructura de soporte. Si no se sigue esta advertencia, la conexión de anclaje estará debilitada y podría ocurrir una lesión seria o la muerte en caso de una caída.

ADVERTENCIA: La conexión a la argolla redonda debe efectuarse sólo con un gancho asegurador de resorte, un mosquetón asegurador u otro conector o dispositivo de conexión aprobado por Miller.

5.0 Juegos de Sistemas de Protección Anticaídas para Techado

5.1 ReadyRoofer – Sistema de protección anticaídas

El sistema de protección anticaídas ReadyRoofer es un sistema personal completo para detención de caídas para trabajos de techado el cual está contenido en un balde a prueba de agua para mayor facilidad de transporte y almacenamiento.



Juegos de sistema ReadyRoofer

Núm. de modelo*	Descripción
BRFK25/25FT BRFK50/50FT BRFK75/75FT BRFK100/100FT	El juego incluye un ancla para techos reutilizable con argolla "D" (RA15-1); arnés Titan liviano de cuerpo entero con correas de hebilla machihembrada para las piernas (T4000); sujetacuerda seguidor compacto (8173 O *8175/C en Canadá); cuerda salvavidas de cuerda de poliéster/polipropileno con lazo y gancho asegurador de resorte (300L--la long. se especific. en el núm. de modelo; 4,218 kg (6,000 lb) de resist. a la tracción); línea de vida Titan con amortiguador de impacto de paquete de 0.9 m (3 pies) con dos ganchos aseguradores de resorte (T6111); recipiente a prueba de agua.
BRFKT25/25FT BRFKT50/50FT BRFKT75/75FT BRFKT100/100FT	Igual a los juegos BRFK, excepto con un arnés Titan liviano de cuerpo entero con correas de hebilla de lengüeta para las piernas (T4500).

*Agregue una "C" al final del número del modelo si desea el juego del sistema ReadyRoofer para Canadá con sujetacuerda seguidor de tamaño estándar con mecanismo antipánico (8175/C).

Advertencias y limitaciones

- Para UNA sola persona únicamente. La capacidad máxima es 140.6kg (310 lb), incluidas las herramientas. — NO EXCEDA ESTE PESO.
- Los puntos de anclaje deben ser capaces de soportar 22.2kN (5,000 lb) en la dirección permitida por el sistema mientras se tiene en uso (u ofrecer un factor de seguridad de 2:1).
- Es preciso leer, comprender y cumplir todas las instrucciones, advertencias y requisitos relacionados con cada componente del sistema.
- El sujetacuerda debe estar orientado en la cuerda salvavidas con la flecha grabada apuntando hacia el ancla para techos para que el sistema funcione correctamente.
- La fuerza máxima de detención del sistema es 4kN (900 lb).

Instalación

Póngase el arnés de cuerpo entero.



1. Sostenga el arnés por la argolla "D" posterior. Sacuda el arnés para permitir que todas las correas caigan libremente. Si las correas del pecho o de las piernas son de hebilla, suéltelas desabrochándolas en este momento.
2. Pásese las correas por encima de los hombros de manera que la argolla "D" quede a la mitad de la espalda, entre los omóplatos.
3. Tire de una de las correas de las piernas pasándola entre éstas y conéctela al extremo opuesto. Repita la operación con la otra correa para las piernas.
4. Conecte la correa para el pecho y colóquela a mitad del pecho de 152 mm (6") a 203 mm (8") abajo de la tráquea, pero no abajo del esternón. Apriétela para mantener apretadas las correas de los hombros.
5. Una vez habiendo abrochado todas las correas, apriete todas las tiras tejidas de manera que el arnés quede apretado pero permita una amplitud de movimiento completa. Pase la parte sobrante de las correas a través de los sujetadores de presilla.

Instale el ancla para techos.

Para la instalación del ancla para techos RA15-1 consulte las secciones 3.0, 4.0 y 4.1 de este manual.

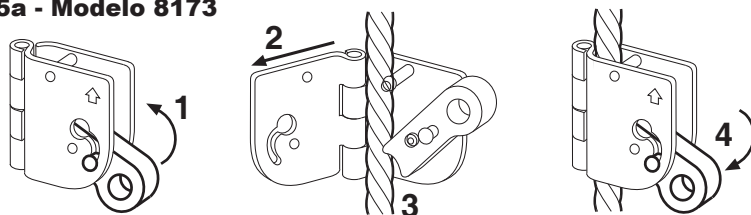
Conecte el gancho de resorte de la cuerda salvavidas a la argolla "D" del ancla para techos.

Asegúrese de que el gancho de resorte cierre completamente y quede asegurado.

Conecte el sujetacuerda a la cuerda salvavidas.

Consulte la fig. 5a o 5b, según sea el sujetacuerda incluido con el sistema.

Fig. 5a - Modelo 8173

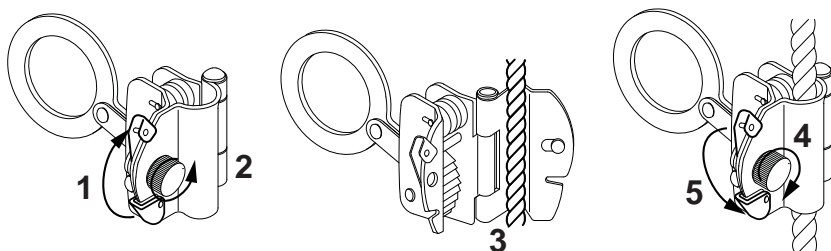


1. Abra el dispositivo; para ello, gire hacia arriba la palanca de aseguramiento.
2. Abra la placa lateral.
3. Coloque el dispositivo en la cuerda salvavidas, con la flecha apuntando hacia arriba, hacia el punto de anclaje de la cuerda salvavidas.

ADVERTENCIA: NUNCA una el dispositivo a la cuerda salvavidas con la flecha apuntando hacia abajo; de lo contrario, el dispositivo no se afianza en dicha cuerda si sucede una caída.

4. Cierre el dispositivo alrededor de la cuerda salvavidas y gire hacia abajo la palanca de aseguramiento.

Fig. 5b - Modelo 8175



1. Abra el pestillo.
2. Desenrosque el tornillo de apriete manual para abrir el dispositivo.
3. Coloque el dispositivo en la cuerda salvavidas, con la flecha apuntando hacia arriba, hacia el punto de anclaje de la cuerda salvavidas.

ADVERTENCIA: NUNCA una el dispositivo a la cuerda salvavidas con la flecha apuntando hacia abajo; de lo contrario, el dispositivo no se afianza en dicha cuerda si sucede una caída.

4. Cierre el dispositivo alrededor de la cuerda salvavidas y apriete el tornillo de apriete manual.
5. Cierre el pestillo.

Conecte la línea de vida entre el sujetacuerda y la argolla “D” posterior del arnés.

El gancho de resorte del amortiguador de paquete debe conectarse a la argolla “D” posterior del arnés; el gancho de resorte de la pernera de la línea de vida se conecta al sujetacuerda. Asegúrese de que ambos ganchos de resorte cierren completamente y queden asegurados.

5.2 Juegos de anclas para techos Miller

El juego de anclas para techos Miller es un sistema personal completo para detención de caídas para trabajo de techado, el cual viene en una cómoda bolsa de acarreo.



Juegos de anclas para techos Miller

Núm. de modelo*	Descripción
RA20-25/25FT RA20-50/50FT	El juego incluye dos anclas reutilizables para techos (RA20-1); arnés estirable de cuerpo entero DuraFlex (E850); sujetacuerda manual de acero inoxidable con línea de vida unida de 0.6 m (2 pies) con amortiguador de impacto SofStop (8757LS); cuerda salvavidas de cuerda de náilon de 5/8" de diám. con guardacabos (195R-2--la long. se especifica en el núm. de modelo; 27 kN (6,000 lb) de resist. mín. a la tracción); mosquetón de acero de cierre por torsión (17D-1) y bolsa de acarreo.

*Agregue una "C" al final del número del modelo si desea el juego de anclaje para techos para Canadá con sujetacuerda manual con mecanismo antipánico y línea de vida unida de 0.6 m (2 pies) con amortiguador de impacto SofStop (8757LS/24INYL).

Advertencias y limitaciones

- Para UNA sola persona únicamente. La capacidad máxima es 140.6kg (310 lb), incluidas las herramientas. — NO EXCEDA ESTE PESO.
- Los puntos de anclaje deben ser capaces de soportar 22.2kN (5,000 lb) en la dirección permitida por el sistema mientras se tiene en uso (u ofrecer un factor de seguridad de 2:1).
- Es preciso leer, comprender y cumplir todas las instrucciones, advertencias y requisitos relacionados con cada componente del sistema.
- El sujetacuerda debe estar orientado en la cuerda salvavidas con la flecha grabada apuntando hacia el ancla para techos para que el sistema funcione correctamente.
- La fuerza máxima de detención del sistema es 4kN (900 lb).

Instalación

Póngase el arnés de cuerpo entero.



1. Sostenga el arnés por la argolla "D" posterior. Sacuda el arnés para permitir que todas las correas caigan libremente. Si las correas del pecho o de las piernas son de hebilla, suéltelas desabrochándolas en este momento.
2. Pásese las correas por encima de los hombros de manera que la argolla "D" quede a la mitad de la espalda, entre los omóplatos.
3. Tire de una de las correas de las piernas pasándola entre éstas y conéctela al extremo opuesto. Repita la operación con la otra correa para las piernas.
4. Conecte la correa para el pecho y colóquela a mitad de pecho de 152 mm (6") a 203 mm (8") abajo de la tráquea, pero no abajo del esternón. Apriétela para mantener apretadas las correas de los hombros.
5. Una vez habiendo abrochado todas las correas, apriete todas las tiras tejidas de manera que el arnés quede apretado pero permita una amplitud de movimiento completa. Pase la parte sobrante de las correas a través de los sujetadores de presilla.

Instale el ancla para techos.

Para la instalación del ancla para techos RA15-1 consulte las secciones 3.0, 4.0 y 4.1 de este manual.

Conecte la cuerda salvavidas a la argolla "D" del ancla para techos usando el mosquetón.

1. Gire el linguete del mosquetón para desasegurarlo.
2. Abra el linguete hacia el interior, haga la conexión y luego suéltelo.

Asegúrese de que el mosquetón cierre completamente y quede asegurado.

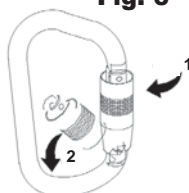


Fig. 6

Conecte el sujetacuerda a la cuerda salvavidas.

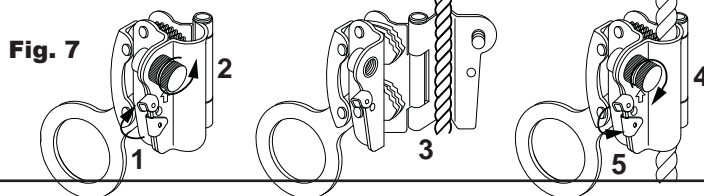


Fig. 7

1. Abra el pestillo.
2. Desenrosque el tornillo de apriete manual para abrir el dispositivo.
3. Coloque el dispositivo en la cuerda salvavidas, con la flecha apuntando hacia arriba, hacia el punto de anclaje de la cuerda salvavidas.

ADVERTENCIA: NUNCA una el dispositivo a la cuerda salvavidas con la flecha apuntando hacia abajo; de lo contrario, el dispositivo no se afianza en dicha cuerda si sucede una caída.

4. Cierre el dispositivo alrededor de la cuerda salvavidas y apriete el tornillo de apriete manual.
5. Cierre el pestillo.
6. Para cambiar la posición del sujetacuerda en la cuerda salvavidas, levante la manija que conecta las levas de sujeción. Deslice el sujetacuerda a la posición deseada en la cuerda salvavidas y suelte la manija de las levas. Las levas sujetadoras de resorte mantienen el sujetacuerda en su posición.

Conecte la línea de vida entre el sujetacuerda y la argolla "D" posterior del arnés.

El gancho de resorte del amortiguador de paquete debe conectarse a la argolla "D" posterior del arnés; el gancho de resorte de la pernera de la línea de vida se conecta al sujetacuerda. Asegúrese de que ambos ganchos de resorte cierren completamente y queden asegurados.

5.3 Juegos de protección anticaídas para techado Titan

El juego de protección anticaídas para techado Titan es un sistema personal completo para detención de caídas para trabajo de techado.



Juegos de protección anticaídas para techado Titan

Núm. de modelo*	Descripción
TRK4000/25FT TRK4000/50FT	El juego incluye un ancla para techos reutilizable con argolla "D" (RA15-1); arnés Titan liviano de cuerpo entero con correas de hebilla machi-hembrada para las piernas (T4000); sujetacuerda seguidor compacto (8173 O *8175/C en Canadá); cuerda salvavidas de cuerda de poliéster/polipropileno con lazo y gancho asegurador de resorte (300L--la long. se especific. en el núm. de modelo; 4,218 kg (6,000 lb) de resist. a la tracción); línea de vida Titan con amortiguador de impacto de paquete de 0.9 m (3 pies) con dos ganchos aseguradores de resorte (T6111).
TRK4500/25FT TRK4500/50FT	Igual a los juegos TRK, excepto con un arnés Titan liviano de cuerpo entero con correas de hebilla de lengüeta para las piernas (T4500).

*Agregue una "C" al final del número del modelo si desea el juego protección anticaídas para techado Titan para Canadá con sujetacuerda seguidor de tamaño estándar con mecanismo antipánico (8175/C).

Advertencias y limitaciones

- Para UNA sola persona únicamente. La capacidad máxima es 140.6kg (310 lb), incluidas las herramientas. — NO EXCEDA ESTE PESO.
- Los puntos de anclaje deben ser capaces de soportar 22.2kN (5,000 lb) en la dirección permitida por el sistema mientras se tiene en uso (u ofrecer un factor de seguridad de 2:1).
- Es preciso leer, comprender y cumplir todas las instrucciones, advertencias y requisitos relacionados con cada componente del sistema.
- El sujetacuerda debe estar orientado en la cuerda salvavidas con la flecha grabada apuntando hacia el ancla para techos para que el sistema funcione correctamente.
- La fuerza máxima de detención del sistema es 4kN (900 lb).

Instalación

Siga las instrucciones de instalación indicadas en la sección 5.1 de este manual.

5.4 Juegos para techado Titan B-Compliant según normas

El juego para techado Titan B-Compliant según normas es un sistema personal completo para detención de caídas para trabajos de techado el cual está contenido en un balde a prueba de agua para mayor facilidad de transporte y almacenamiento.



Juegos para techado Titan B-Compliant según normas

Núm. de modelo	Descripción
TRK2000/25FT TRK2000/50FT	El juego incluye un ancla para techos reutilizable con argolla "D" (RA15-1); arnés Titan liviano de cuerpo entero con correas de hebilla machi-hembra para las piernas; cuerda salvavidas de cuerda de poliéster/polipropileno con lazo y gancho asegurador de resorte (300L--la long. se especific. en el núm. de modelo; 4,218 kg (6,000 lb) de resist. a la tracción) y sujetacuerda seguidor permanentemente unido con línea de vida Titan con amortiguador de impacto de paquete de 0.9 m (3 pies) con gancho asegurador de resorte (T6111); recipiente a prueba de agua.

Advertencias y limitaciones

- Para UNA sola persona únicamente. La capacidad máxima es 140.6kg (310 lb), incluidas las herramientas. — NO EXCEDA ESTE PESO.
- Los puntos de anclaje deben ser capaces de soportar 22.2kN (5,000 lb) en la dirección permitida por el sistema mientras se tiene en uso (u ofrecer un factor de seguridad de 2:1).
- Es preciso leer, comprender y cumplir todas las instrucciones, advertencias y requisitos relacionados con cada componente del sistema.
- El sujetacuerda debe estar orientado en la cuerda salvavidas con la flecha grabada apuntando hacia el ancla para techos para que el sistema funcione correctamente.
- La fuerza máxima de detención del sistema es 4kN (900 lb).

Instalación

Póngase el arnés de cuerpo entero.

1. Sostenga el arnés por la argolla "D" posterior. Sacuda el arnés para permitir que todas las correas caigan libremente. Si las correas del pecho o de las piernas son de hebilla, suéltelas desabrochándolas en este momento.
2. Pásese las correas por encima de los hombros de manera que la argolla "D" quede a la mitad de la espalda, entre los omóplatos.
3. Tire de una de las correas de las piernas pasándola entre éstas y conéctela al extremo opuesto. Repita la operación con la otra correa para las piernas.
4. Conecte la correa para el pecho y colóquela a mitad del pecho de 152 mm (6") a 203 mm (8") abajo de la tráquea, pero no abajo del esternón. Apriétela para mantener apretadas las correas de los hombros.
5. Una vez habiendo abrochado todas las correas, apriete todas las tiras tejidas de manera que el arnés quede apretado pero permita una amplitud de movimiento completa. Pase la parte sobrante de las correas a través de los sujetadores de presilla.

Instale el ancla para techos.

Para la instalación del ancla para techos RA15-1 consulte las secciones 3.0, 4.0 y 4.1 de este manual.

Conecte el gancho de resorte de la cuerda salvavidas a la argolla "D" del ancla para techos.

El gancho de resorte de la cuerda salvavidas debe conectarse a la argolla "D" del ancla para techos para asegurarse de que el sujetacuerda apunte en la dirección correcta para que funcione correctamente. Asegúrese de que el gancho de resorte cierre completamente y quede asegurado.

PRECAUCIÓN: La flecha grabada en el sujetacuerda debe apuntar hacia el gancho de resorte de la cuerda salvavidas para el correcto funcionamiento del sistema y seguridad del usuario. (Ver fig. 8.)

Fig. 8

Conecte el gancho de resorte de la cuerda salvavidas a la argolla "D" del ancla para techos.



Conecte el gancho de resorte del amortiguador de impacto de paquete de la línea de vida a la argolla "D" posterior del arnés.

Asegúrese de que el gancho de resorte cierre completamente y quede asegurado.

6.0 Inspección y Mantenimiento

6.1 Inspección

Las anclas para techos y juegos de sistema de protección anticaídas para techado de la marca Miller deben ser inspeccionados visualmente por el usuario antes de cada uso y deben ser inspeccionados periódicamente por una persona competente.

Efectúe los siguientes procedimientos si corresponden al producto y/o sistema adquirido por usted:

Ancla para techos

Inspeccione el producto para ver si tiene cualquiera de los siguientes defectos: está doblado, agrietado, distorsionado, desgastado, funciona mal o tiene partes dañadas; bordes ásperos o cortantes; elementos de unión sueltos o partes o componentes faltantes; corrosión; deterioro; señales de que el producto ha sido sujeto a una detención de caída; o cualquier otra indicación de daños o problemas que puedan afectar la integridad y desempeño del producto. Si tiene dudas comuníquese con el fabricante.

Arnés

Tejido / Costuras: Sujete la cincha con sus manos colocadas de 6 a 8 pulgadas de separación. Curve la cincha formando una U invertida como se muestra. La tensión superficial resultante permite que las fibras dañadas o los cortes sean visibles con mayor facilidad. Continúe este procedimiento con todo el largo de la cincha, inspeccionando ambos lados de cada correa. Verifique si hay bordes deshilachados, fibras rotas, puntadas tiradas, cortes, quemaduras y daño químico.



Anillos “D” / Almohadillas: Revise los anillos D para ver si tienen distorsiones, grietas, roturas y bordes ásperos o filosos. El anillo-D debe de girar libremente. Inspecciónelos para ver si hay un desgaste anormal, fibras desgarradas o cortadas o costuras rotas en las uniones de los anillos “D”. También las almohadillas deben inspeccionarse para ver si hay agrietamiento, desgaste excesivo u otras señales de daños.



Hebillas: Revise todas las hebillas para ver si están distorsionadas o tienen grietas, roturas o bordes ásperos o afilados. Inspeccione para ver si hay un desgaste anormal, fibras desgarradas o cortadas o costuras rotas en las uniones de las hebillas. Asegúrese de que las hebillas enganchen debidamente.

Hebillas de lengüeta / Ojillos: Las lengüetas de las hebillas deben carecer de distorsiones tanto en la forma como en el movimiento. Deben traslapar la armazón de la hebilla y moverse libremente de atrás para adelante en su alojamiento. El rodillo debe girar libremente en la armazón. Revise para ver si hay alguna distorsión o bordes afilados. Inspeccione los ojillos para ver si están sueltos, distorsionados o rotos. El tejido no debe tener agujeros perforados adicionales.

Fricción y hebillas machihembradas: Inspeccione la hebilla para ver si tiene distorsiones. Las barras exteriores y centrales deben estar rectas. Preste atención en particular a las esquinas y puntos de unión con la barra central.

Además, inspeccione el producto para ver si muestra señales de que ha sido sometido a una detención de caída o cualquier otra indicación de daños o problemas que puedan afectar la integridad y el desempeño del producto. Si tiene dudas comuníquese con el fabricante.

Sujetacuerda

Inspeccione el producto para ver si tiene cualquiera de los siguientes defectos: está doblado, agrietado, distorsionado, desgastado, funciona mal o tiene partes dañadas; bordes ásperos o cortantes; elementos de unión sueltos o partes o componentes faltantes; corrosión; deterioro; señales de que el producto ha sido sujeto a una detención de caída; o cualquier otra indicación de daños o problemas que puedan afectar la integridad y desempeño del producto. Si tiene dudas comuníquese con el fabricante.

Revise la leva y los resortes (8174 y 8175 modelos) para ver si tienen daños o pérdida de tensión.

Revise el trinquete y el mecanismo de aseguramiento (8173 modelos).

Asegúrese de que el sujetacuerda funcione correcta y libremente y sólo de la manera proyectada por el fabricante.

Línea de vida / Cuerda salvavidas vertical

Al inspeccionar líneas de vida y cuerdas salvavidas verticales comience por un extremo y avance hacia el extremo opuesto. Gire lentamente la línea de vida o la cuerda salvavidas, según sea el caso, para revisar todo el contorno.

Tejido / Costuras: Mientras mantiene doblada la línea de vida de tejido en un tubo o mandril, observe cada lado de la misma. De esta manera se encuentra toda cortadura, desgarradura o rotura presentes. Toda hinchazón, decoloración, agrietamiento o chamuscamiento es señal de daño químico o térmico. Observe de cerca para ver si hay roturas en las costuras.



Cuerda: Gire la cuerda salvavidas de cuerda mientras la inspecciona de un extremo a otro para ver si hay fibras deshilachadas, gastadas, rotas o cortadas. Las áreas debilitadas causadas por cargas extremas se manifiestan en forma de un cambio notable en el diámetro original de la pieza. El diámetro de la cuerda debe ser uniforme a todo lo largo, después de un breve período de uso inicial.



Ganchos de resorte / Guardacabos: Inspeccione detalladamente para ver si el gancho y el ojo tienen distorsiones, grietas, roturas, corrosión, superficies picadas o bordes ásperos o cortantes. El linguete (el retén) debe asentar en la punta del gancho sin atorarse, y no debe tener distorsiones ni obstrucciones. El resorte del linguete debe ejercer suficiente fuerza para cerrar firmemente dicho linguete. Cuando el linguete está cerrado, el mecanismo de aseguramiento DEBE impedir la apertura del linguete. El guardacabo debe estar firmemente asentado en el ojo del empalme, y éste debe carecer de hebras flojas o cortadas. Los bordes del guardacabo deben carecer de bordes afilados, distorsiones y grietas.



Amortiguador de impacto de paquete: Debe examinarse la parte exterior del paquete para ver si tiene agujeros o desgarramientos. Deben examinarse las costuras de las zonas donde el paquete está cosido a la línea de vida para ver si hay hebras sueltas, desgarramientos o deterioro u otras señales de activación.



Mosquetón

Inspeccione el producto para ver si tiene cualquiera de los siguientes defectos: está doblado, agrietado, distorsionado, desgastado, funciona mal o tiene partes dañadas; bordes ásperos o cortantes; elementos de unión sueltos o partes o componentes faltantes; corrosión; deterioro; señales de que el producto ha sido sujeto a una detención de caída; o cualquier otra indicación de daños o problemas que puedan afectar la integridad y desempeño del producto. Si tiene dudas comuníquese con el fabricante.

Revise el mosquetón para asegurarse de que funcione con libertad y sólo de la manera proyectada por el fabricante. Asegúrese de que el el linguete (retén) del gancho de resorte o del mosquetón, según sea el caso, esté asentado debidamente sin doblarse y de que no tenga distorsiones ni obstrucciones. El resorte del linguete debe ejercer suficiente fuerza para cerrarlo firmemente. Cuando el linguete está cerrado, el mecanismo de aseguramiento DEBE impedir la apertura dicho linguete.

Los dispositivos que no pasen la inspección o hayan sido sometidos a fuerzas de detención de caída deben retirarse del servicio.

6.2 Limpieza y Almacenamiento

Con un cuidado básico de todo el equipo Miller Fall Protection se prolonga la vida de servicio de la unidad y se contribuye al correcto desempeño de su vital función de seguridad. Un correcto almacenamiento y mantenimiento después de usarse el equipo son tan importantes como la debida limpieza del mismo con respecto a la suciedad, corrosivos y contaminantes. Las áreas de almacenamiento deben estar limpias, secas y carentes de exposición a emanaciones y agentes corrosivos.

Limpie periódicamente el dispositivo con una esponja humedecida en una solución rala de agua y jabón o detergente comercial para eliminar toda suciedad, pintura u otro material que pueda haberse acumulado. Seque el dispositivo con un paño limpio y/o deje colgando libremente la pieza para secarla lejos de calor o vapor excesivos, y sin dejarla expuesta a la luz solar por períodos de tiempo prolongados. Guarde el dispositivo en un área limpia y seca cuando éste no esté en uso.

6.3 Servicio

Las reparaciones deben ser efectuadas exclusivamente por el fabricante del equipo o bien por personas o entidades autorizadas por escrito por el fabricante. Debe llevarse un registro con todas las fechas de servicio e inspecciones realizados al dispositivo. Sólo las piezas de repuesto originales de Miller se aprueban para ser usadas en este dispositivo. Aquellos dispositivos no reparables que no pasen la inspección deben desecharse de tal manera que se prevenga su posterior uso por accidente. Si tiene preguntas comuníquese con el Depto. de Servicios Técnicos de Miller, llamando al 1-800-873-5242.

Inspection and Maintenance Log

Registre D'inspection et D'entretien

Registro de Inspección y Mantenimiento

DATE OF MANUFACTURE: _____
 DATE DE FABRICATION / FECHA DE FABRICACIÓN

MODEL NUMBER: _____
 NUMÉRO DE MODÈLE / NÚM. DE MODELO

DATE PURCHASED: _____
 DATE D'ACHAT / FECHA DE COMPRA

INSPECTION DATE DATE D'INSPECTION FECHA DE INSPECCIÓN	INSPECTION ITEMS NOTED POINTS NOTÉS LORS DE L'INSPECTION PUNTOS DE INSPECCIÓN RELEVANTES	CORRECTIVE ACTION ACTION CORRECTIVE MEDIDA CORRECTIVA	MAINTENANCE PERFORMED ENTRETIEN EFFECTUÉ MANTENIMIENTO REALIZADO
Approved by: Approuvé par: Aprobado por:			
Approved by: Approuvé par: Aprobado por:			
Approved by: Approuvé par: Aprobado por:			
Approved by: Approuvé par: Aprobado por:			
Approved by: Approuvé par: Aprobado por:			
Approved by: Approuvé par: Aprobado por:			
Approved by: Approuvé par: Aprobado por:			
Approved by: Approuvé par: Aprobado por:			
Approved by: Approuvé par: Aprobado por:			
Approved by: Approuvé par: Aprobado por:			
Approved by: Approuvé par: Aprobado por:			
Approved by: Approuvé par: Aprobado por:			
Approved by: Approuvé par: Aprobado por:			
Approved by: Approuvé par: Aprobado por:			



MILLER® FALL PROTECTION PRODUCTS
TOTAL SATISFACTION ASSURANCE

At Miller Fall Protection, we have been providing quality Miller brand fall protection equipment to millions of workers worldwide since 1945.

LIMITED LIFETIME WARRANTY
BACKED BY OVER 60 YEARS IN THE FALL PROTECTION BUSINESS

We sincerely believe that our fall protection equipment is the best in the world. Our products endure rigorous tests to ensure that the fall protection equipment you trust is manufactured to the highest standards. Miller fall protection products are tested to withstand normal wear and tear, but are not indestructible and can be damaged by misuse. Our Limited Lifetime Warranty does not apply to normal wear and tear or abusive treatment of the product.

In the unlikely event that you should discover defects in either workmanship or materials, under our Limited Lifetime Warranty, we will repair or replace the product at our expense. If a replacement is necessary and your product is no longer available, a comparable product will be substituted. Should a product issue surface, contact us at 800.873.5242.

Manufacturing specifications are subject to change without notice.

PRODUITS MILLER® FALL PROTECTION
ASSURANCE DE SATISFACTION TOTALE

Chez Miller Fall Protection, nous fournissons des équipements de protection contre les chutes de marque Miller de qualité à des millions de travailleurs dans le monde entier depuis 1945.

GARANTIE LIMITÉE À VIE
ASSURÉE GRÂCE À PLUS DE 60 ANS PASSÉS DANS LE DOMAINE DE LA PROTECTION CONTRE LES CHUTES

Nous croyons sincèrement que notre équipement de protection contre les chutes est le meilleur au monde. Nos produits sont soumis à des tests rigoureux, afin d'assurer que les équipements de protection contre les chutes dans lesquels vous avez confiance sont fabriqués selon les normes les plus exigeantes. Les produits de protection contre les chutes Miller sont soumis à des essais pour vérifier qu'ils résistent à une usure normale; ils ne sont cependant pas indestructibles et peuvent s'endommager en cas de mauvaise utilisation. Notre garantie limitée à vie ne s'applique pas à l'usure normale ou à un usage abusif du produit.

Dans le cas peu probable où vous découvririez des défauts, soit de fabrication, soit de matériau, dans le cadre de notre garantie à vie, nous réparerons ou remplacerons le produit à nos frais. En cas de remplacement, si votre produit n'est plus offert, vous recevrez un produit comparable. En cas de problème sur un produit, nous contacter au 800-873-5242.

Les caractéristiques de fabrication peuvent être modifiées sans préavis.

PRODUCTOS ANTICAÍDAS MILLER®
GARANTÍA DE SATISFACCIÓN TOTAL

En Miller Fall Protection, venimos suministrando desde 1945 los equipos de protección anticaídas con la calidad Miller a millones de trabajadores en todo el mundo.

GARANTÍA LIMITADA DE POR VIDA
NOS RESPALDAN MÁS DE 60 AÑOS EN LA FABRICACIÓN DE EQUIPO ANTICAÍDAS

Sinceramente creemos que su equipo de protección contra caídas es el mejor del mundo. Nuestros productos resisten rigurosas pruebas para garantizar que el equipo de protección contra caídas en el que usted confía está fabricado de conformidad con las normas más elevadas. Los productos anticaídas Miller son sometidos a pruebas para que resistan el desgaste normal, pero no son indestructibles y su incorrecta utilización puede dañarlos.

Nuestra Garantía limitada de por vida no se aplica al desgaste normal ni al maltrato del producto.

En el poco probable caso de que usted descubriera defectos de mano de obra o materiales, por nuestra Garantía limitada de por vida, repararemos o sustuiremos el producto por cuenta nuestra. Si un reemplazo es necesario y nuestro producto ya no está disponible, se lo sustuiremos por otro comparable.

En caso de que surja un problema con el producto, contáctenos al 800.873.5242.

Las especificaciones de fabricación están sujetas a modificaciones sin previo aviso.



by Honeywell

Toll Free: 800.873.5242
Fax: 800.892.4078

Download this manual at: www.millerfallprotection.com
Téléchargez ce manuel à l'adresse: www.millerfallprotection.com
Puede bajar por Internet este manual en: www.millerfallprotection.com

Honeywell Safety Products
P.O. Box 271, 1345 15th Street
Franklin, PA 16323 USA